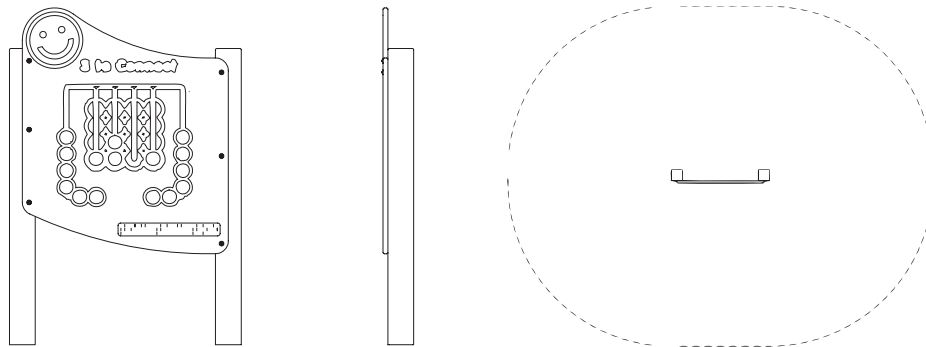


# IP 302 3 to Connect



## Sensory and Play Panels

Our 3-To-Connect has been designed specifically for outdoor use, removing any small, loose pieces. It is a fun game that helps children understand the decision making process and develop logic. A great game for the whole family.



<b>Activities</b>	Social, games, problem solving
<b>Features</b>	Contrasting colours, braille, available in larger size
<b>Age Range</b>	3+ years
<b>No. of Users</b>	2
<b>Falling Space</b>	minimum space around required 4.5m <sup>2</sup>
<b>FFH</b>	<0.6m
<b>Materials</b>	HDPE Densetec XD and recycled material
<b>Approx. Weight</b>	37kg