

# IP 28M Double Bay Wave & Mixed Seat Anti-Wrap Swing

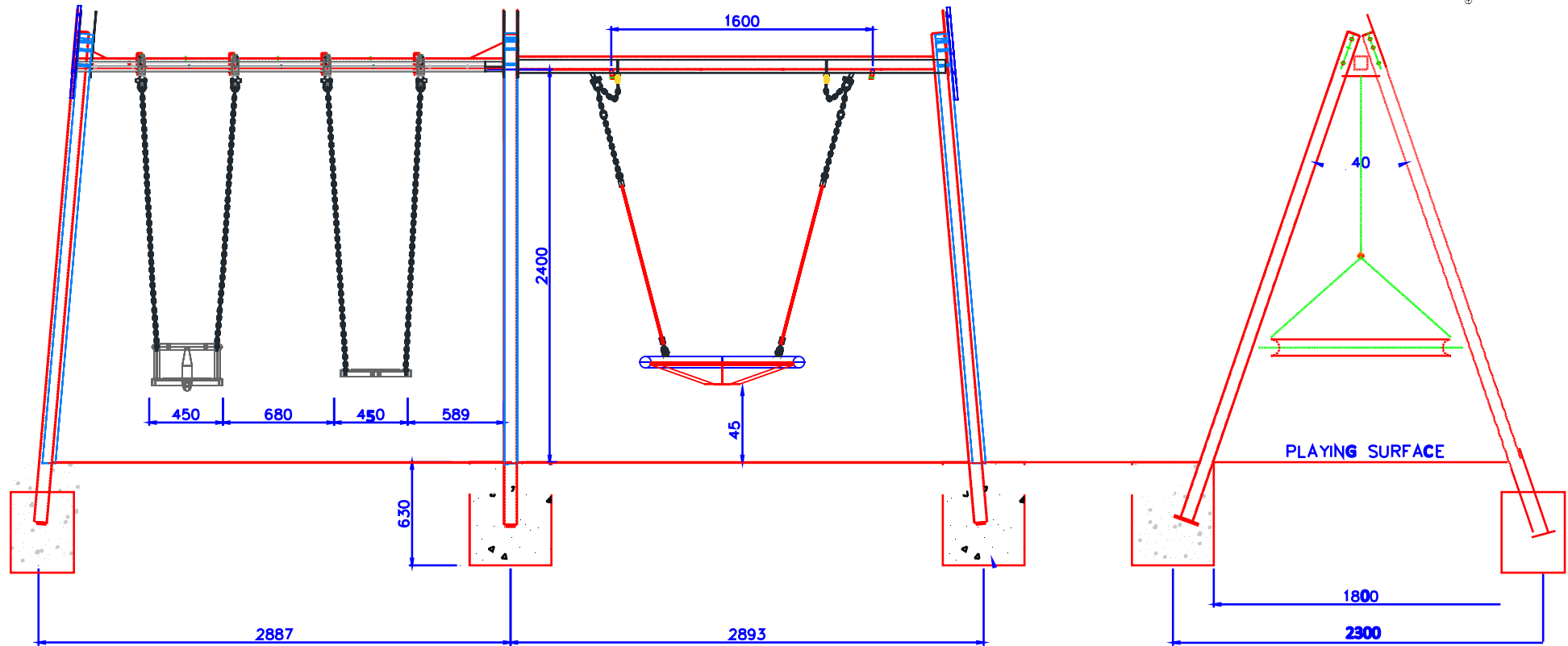


# IP 28M Double Bay Wave & Mixed Seat Anti-Wrap Swing - Exploded View

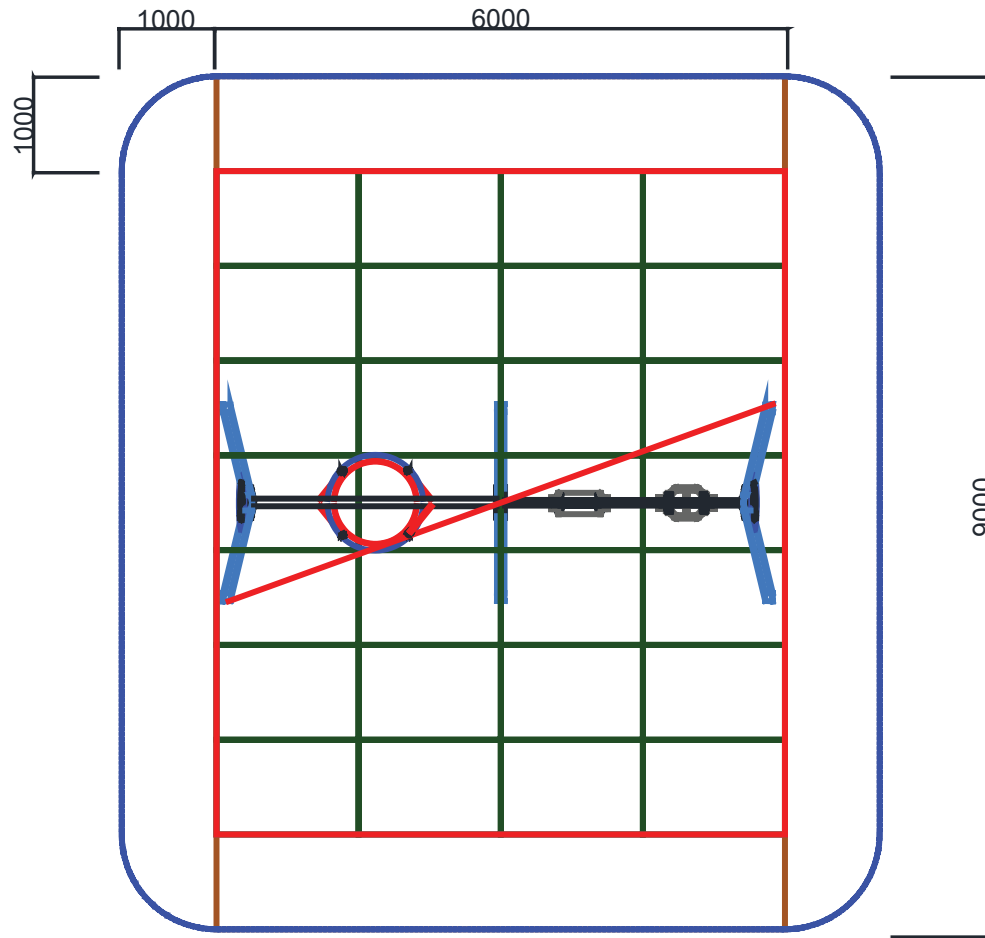


Item	QTY	Part Number	Description
1	6	SW04	Post 3.4m
2	2	SW-INC01	Smile Endplate
3	1	SW-8AF	Swing Crossbar Assembly
4	1	SW-3AF	Swing Crossbar Assembly
5	1		Wave Seat & Chains
6	2		Mixed Seat & Chains
7	12	M12 x 100 Hex Bolt	
8	6	M12 x 110 Hex Bolts	
9	18	M12 Nyloc	
10	4	SW67-60	Anti-wrap bearings
11	18	M12 Plastic Cap	Push On
13	2	M10 x 115 Eye Bolt	
14	6	M10 Nyloc Nut	
15	4	M10 2 part Plastic Cap	

# IP 28M Double Bay Wave & Mixed Seat Anti-Wrap Swing - Footing Details

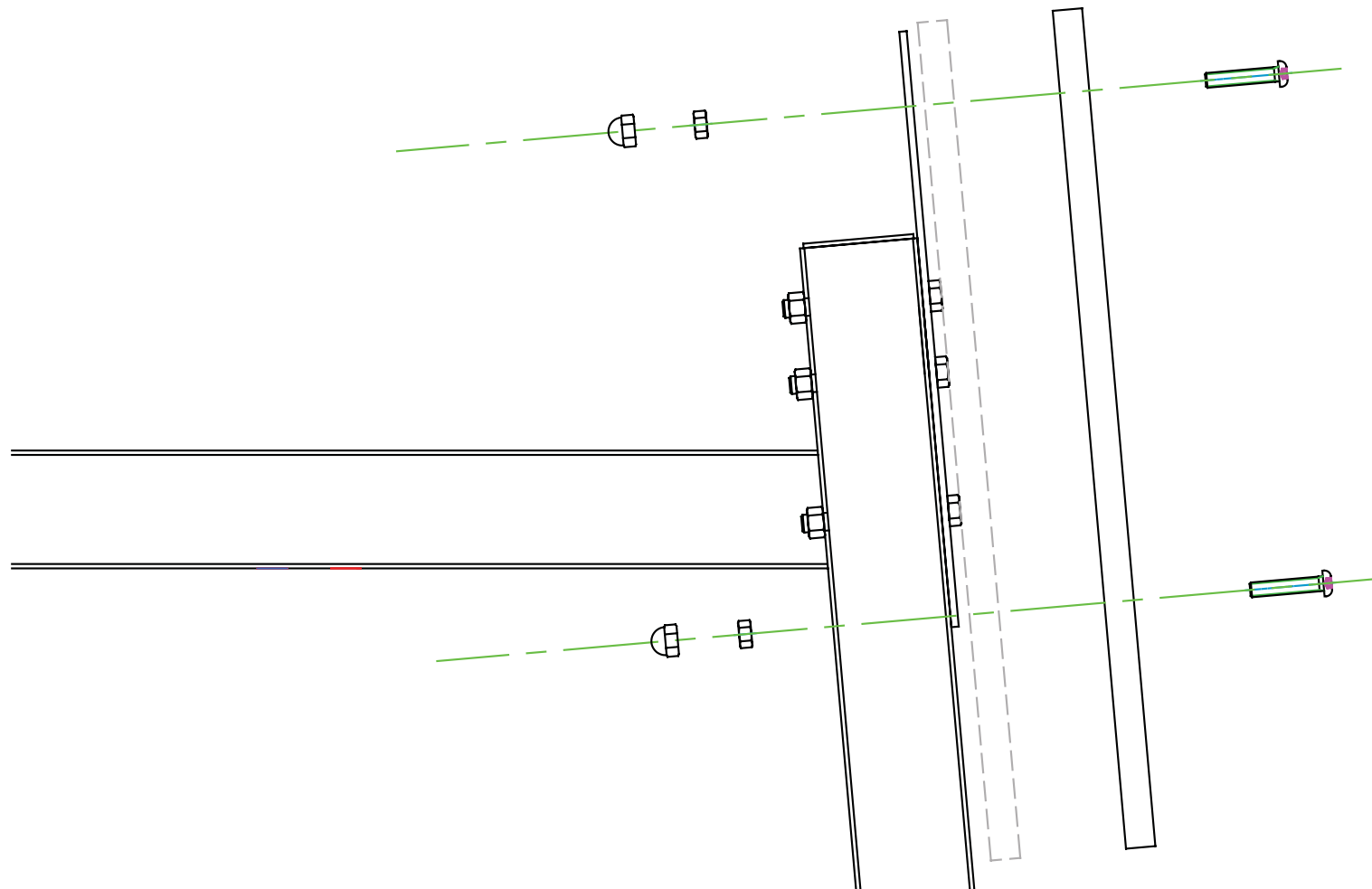


# IP 28M Double Bay Wave & Mixed Seat Anti-Wrap Swing - Safer Surfacing Details

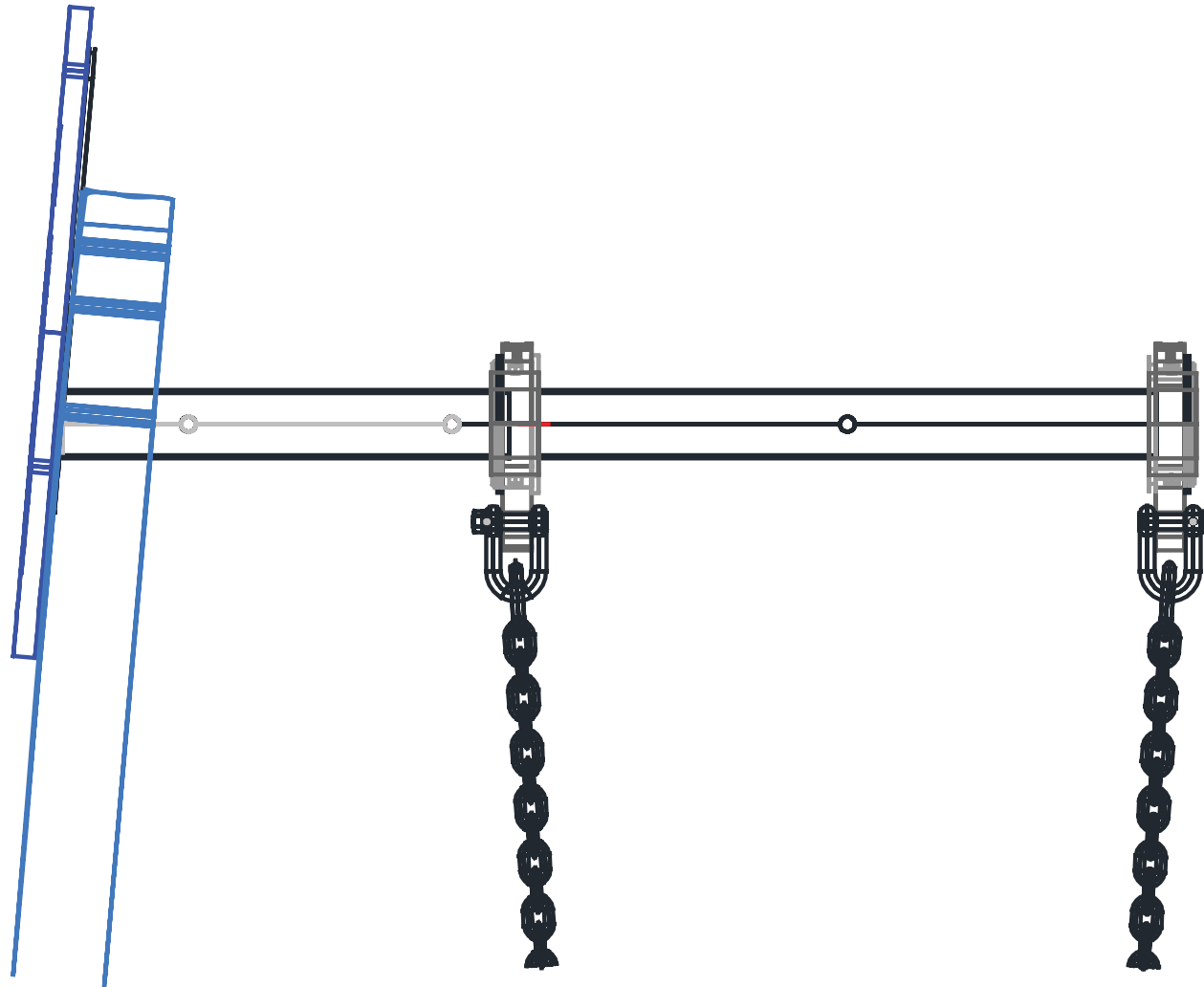


Safer Surfacing Area	Area (m <sup>2</sup> )
Wetpour	42
Grassmats	28 mats (42 m <sup>2</sup> )
Loosefill	54

# IP 28M Double Bay Wave & Mixed Seat Anti-Wrap Swing - Plastic End Plate Assembly



# IP 28M Double Bay Wave & Mixed Seat Anti-Wrap Swing - Anti-Wrap Detail



# IP 28M Double Bay Wave & Mixed Seat Anti-Wrap Swing - Safety Chain Detail



SAFETY CHAIN DETAIL FOR WAVE SWING  
TO BE APPLIED TO BOTH CHAINS

