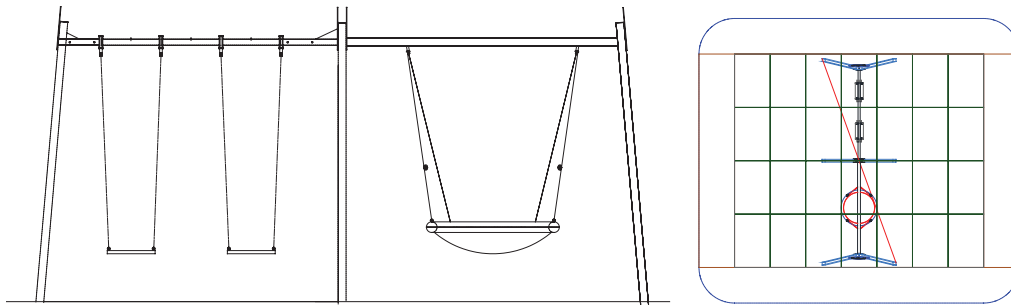


# IP 28F Double Bay Wave & 2 Flat Seat Anti-Wrap Swing



## Moving

The Wave Seat ensures the Double Bay Swings provide a more accessible option so more children can enjoy the fun. The Wave Seat has been designed to be shallower to allow users to move in and out more easily and large enough for play in a group, with a parent or carer or for a child on their own to lie within the Wave. The configuration of the two seats can be altered, having either two flat, cradle or mixed seats.



<b>Activities</b>	Swinging, movement, social development
<b>Features</b>	Anti-wrap bearings, wave & 2 flat seat, heavy duty steel frame
<b>Age Range</b>	2+ years
<b>No. of Users</b>	7
<b>Falling Space</b>	42m <sup>2</sup>
<b>FFH</b>	1.5m
<b>Materials</b>	Galvanised powdercoated steel legs & crossbar, Rubber & rope seats
<b>Approx. Weight</b>	350kg

