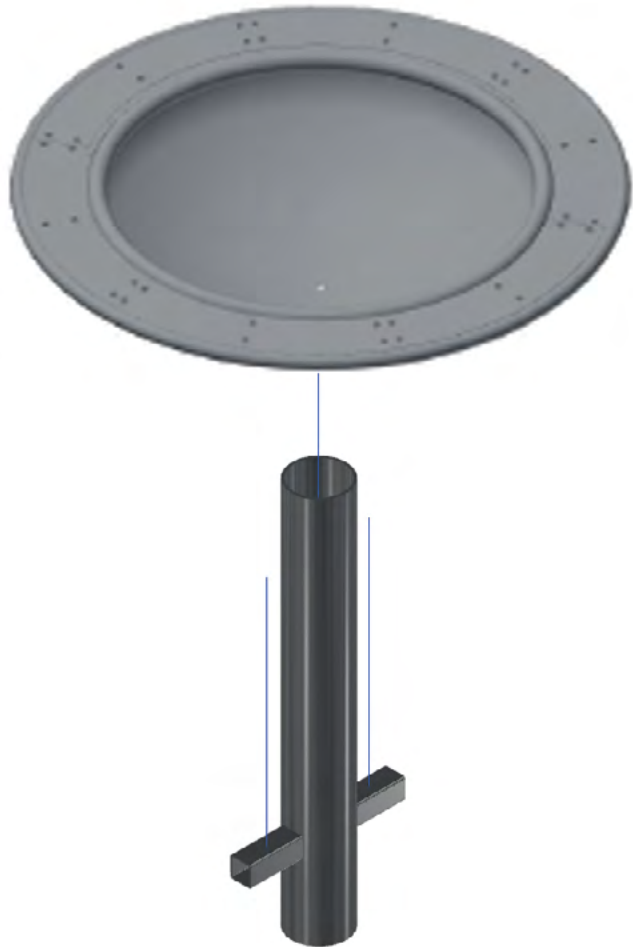


# IP 09 Fusion

---

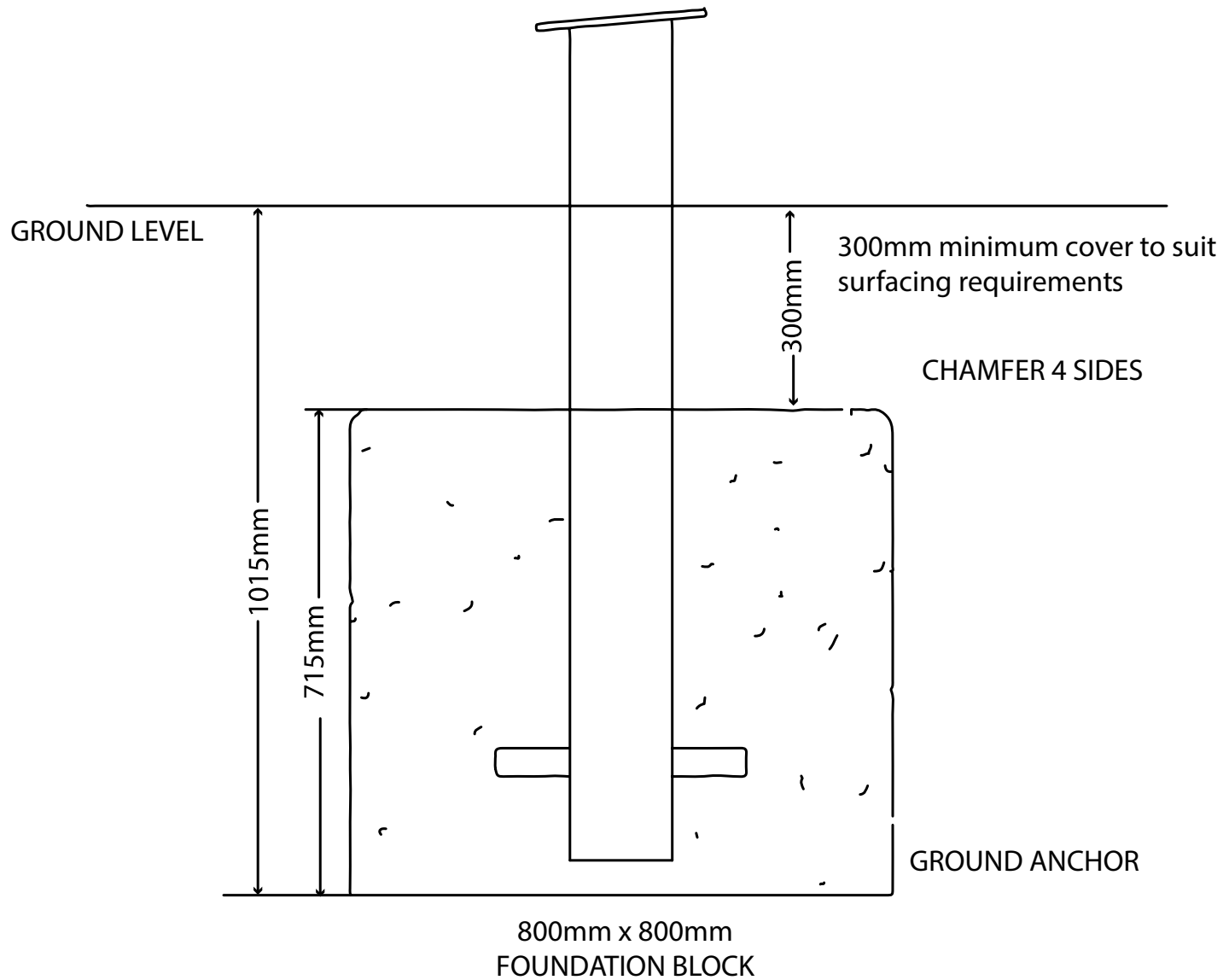


# IP 09 Fusion - Exploded View

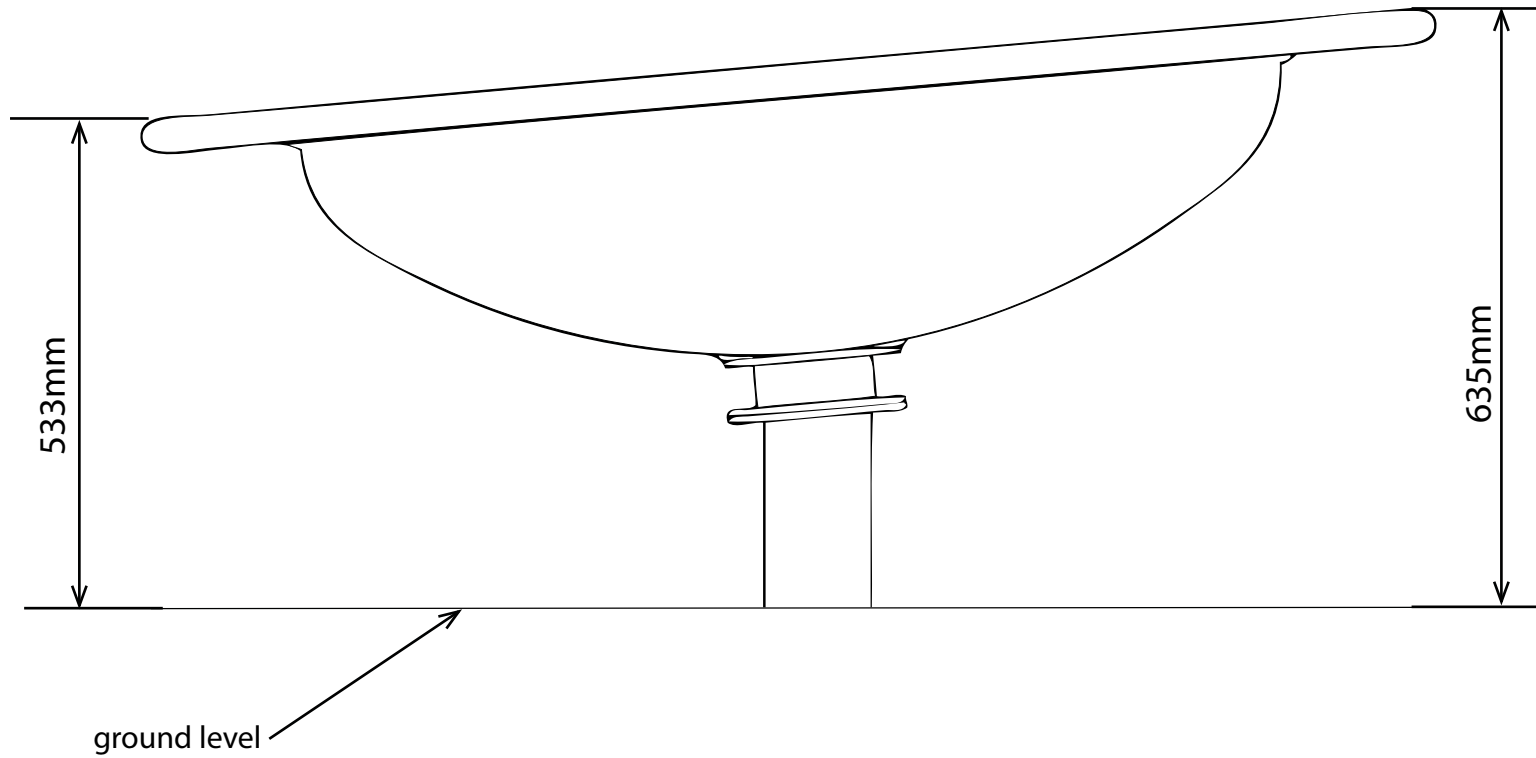


Item	QTY	Part Number	Description
1	1	Revolve Base	
2	1	Ground Anchor	

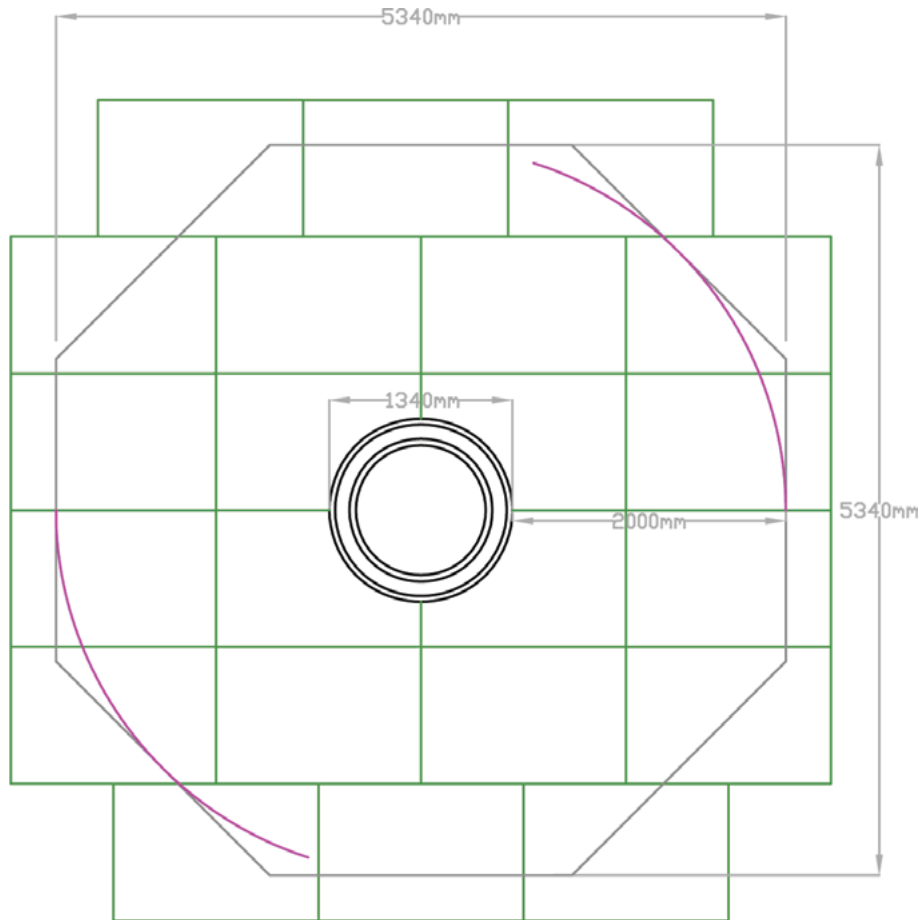
# IP 09 Fusion - Footing Details



# IP 09 Fusion - Height Details



# IP 09 Fusion - Safer Surfacing Details



Safer Surfacing Area	Area (m <sup>2</sup> )
Wetpour on hard surface (circle)	22.4
Wetpour to edge of edging (octagon)	23.6
Grassmats	22 mats (33 m <sup>2</sup> )