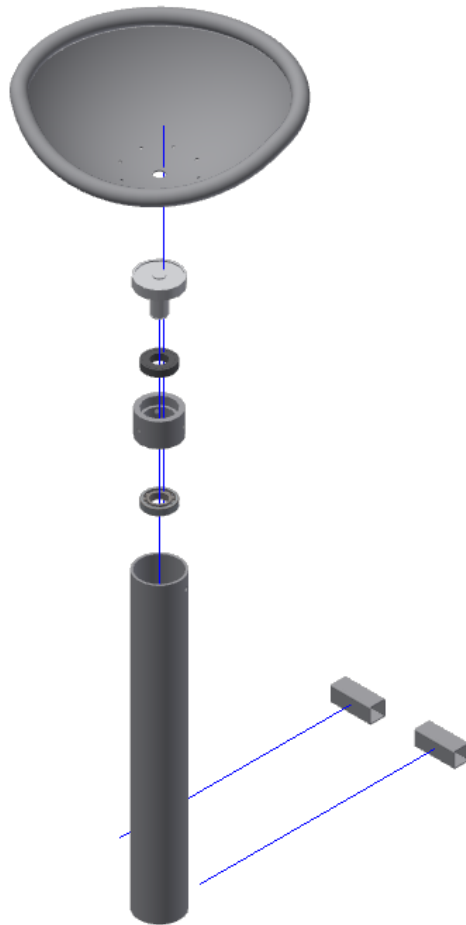


IP 20 Infinity Bowl



IP 20 Infinity Bowl - Exploded View

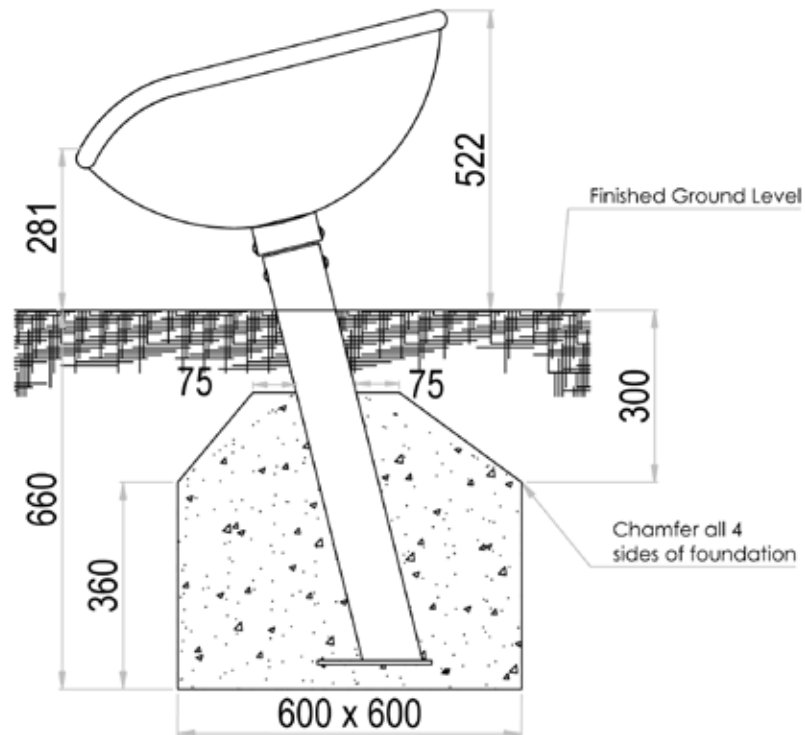


Item	QTY	Part Number	Description
1	1	IP_IB-BS	Bearing Shaft
2	1	IP_IB-BH	Bearing Housing
3	1	IP_IB-BO	Infinity Bowl
4	1	6207 Ball Bearing	Standard Ball Bearing
5	1	7207 BE-2RZP	BA1_001_101-Angular contact ball bearings, single row
6	1	IP_GA	Ground Anchor

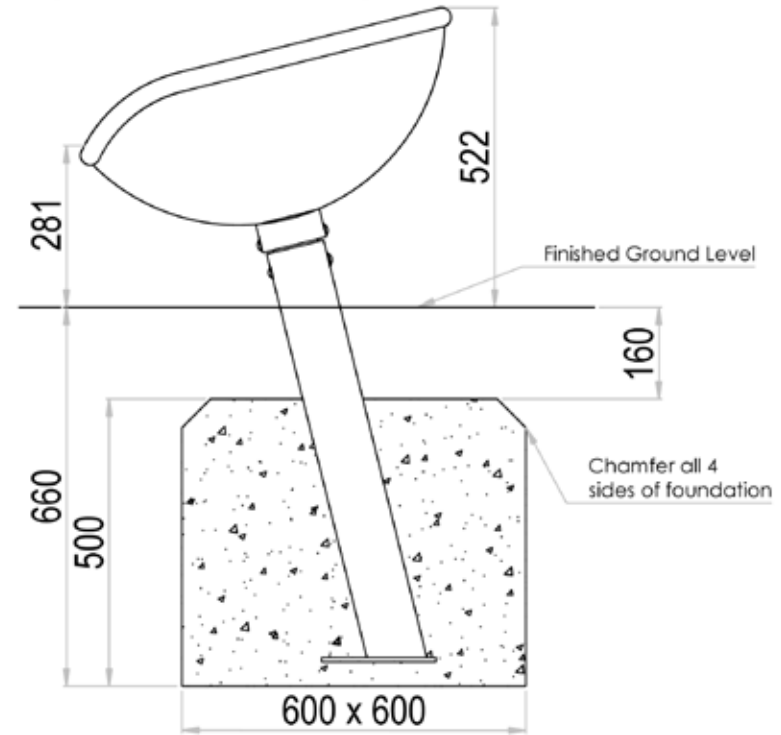
IP 20 Infinity Bowl - Footing Details



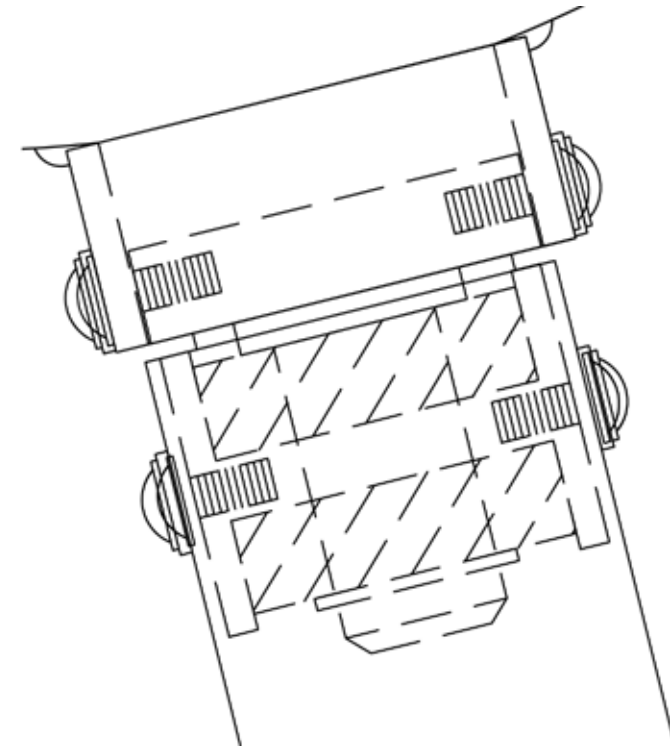
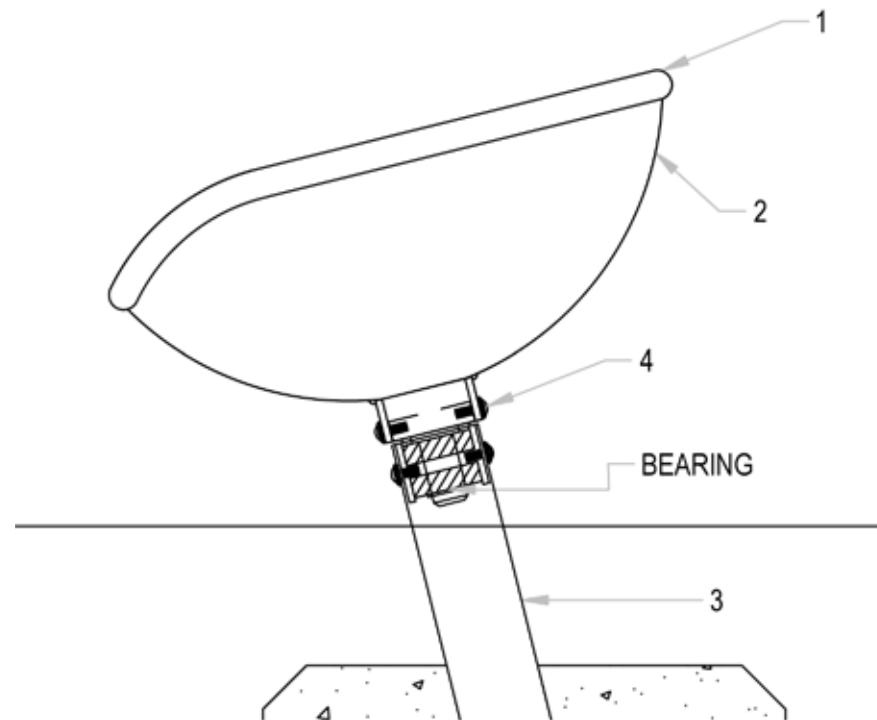
Loosefill Option



Wetpour / Tile / Grass Option



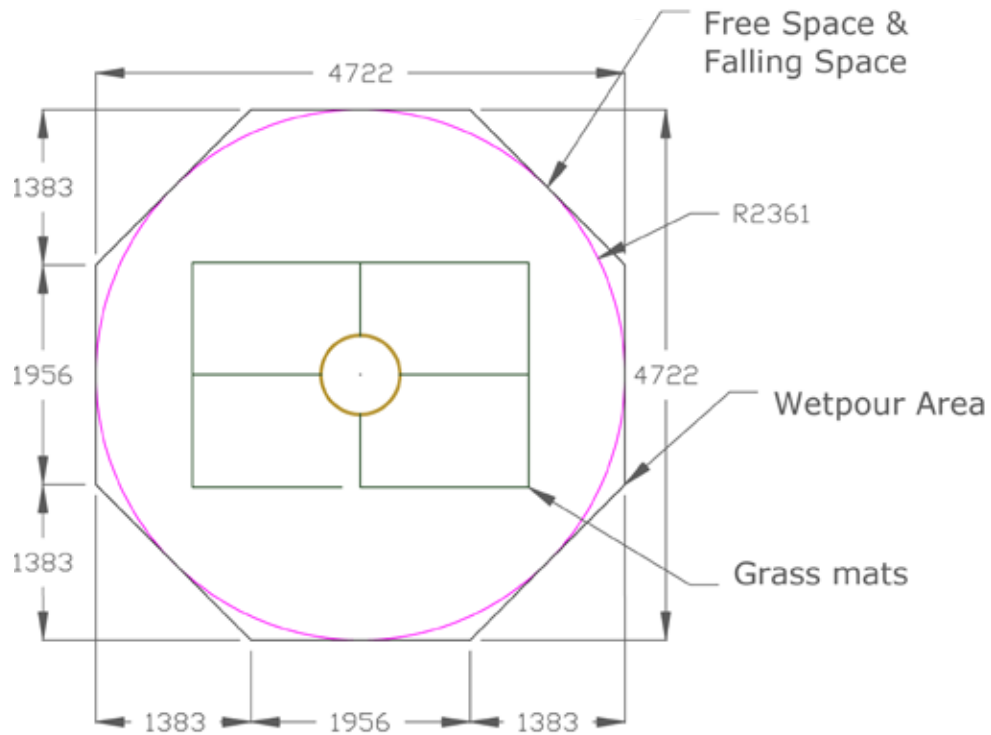
IP 20 Infinity Bowl - Bearing Details



Please note that this unit comes pre-built in factory conditions. At no point should the bowl be removed during installation.

1. Ring 33.7 x 3 CHS
2. Bowl
3. Ground Anchor 101 x 3 CHS
4. 6No. M10 x 30 Bolt
5. Bearing [Complete Unit]

IP 20 Infinity Bowl - Safer Surfacing Details



Safer Surfacing Area	Area (m ²)
Wetpour circle	17.5
Wetpour octagon	18.5
Grassmats	4 mats (6 m ²)
Loosefill	7.5