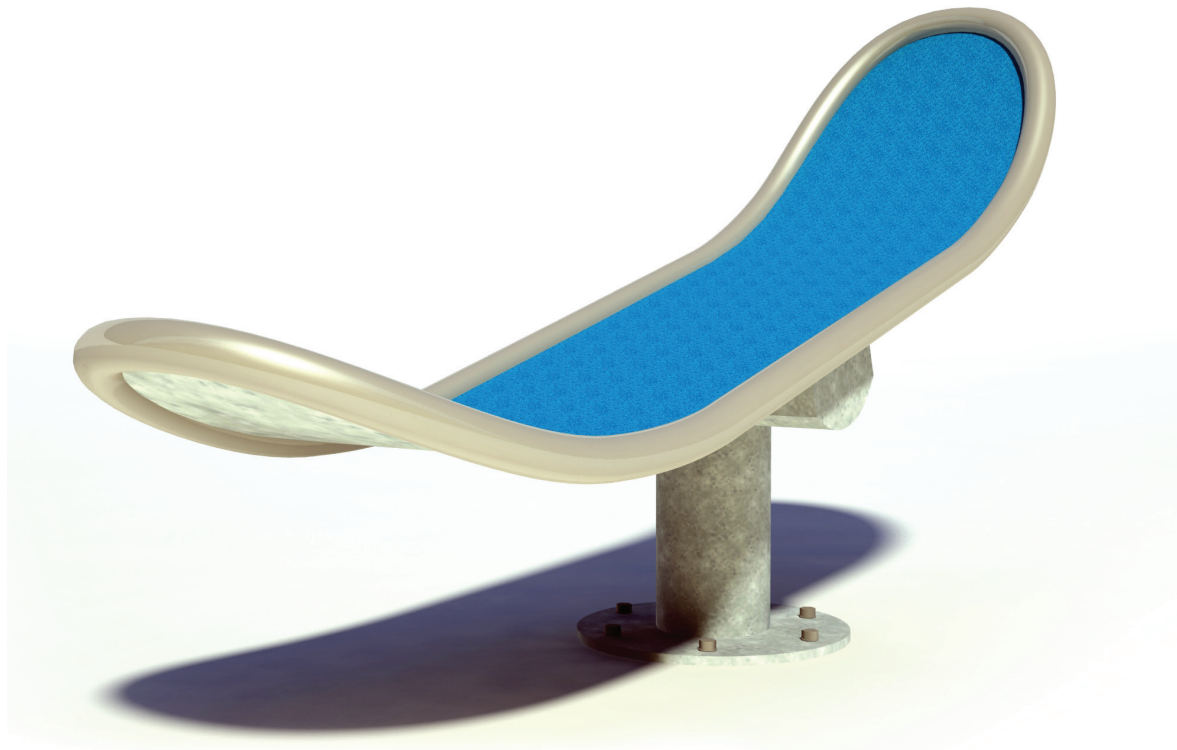
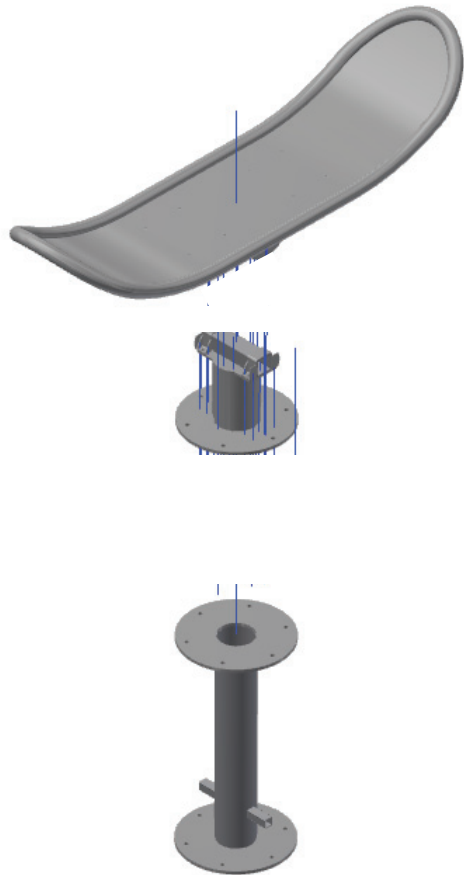


IP 16 Butterfly

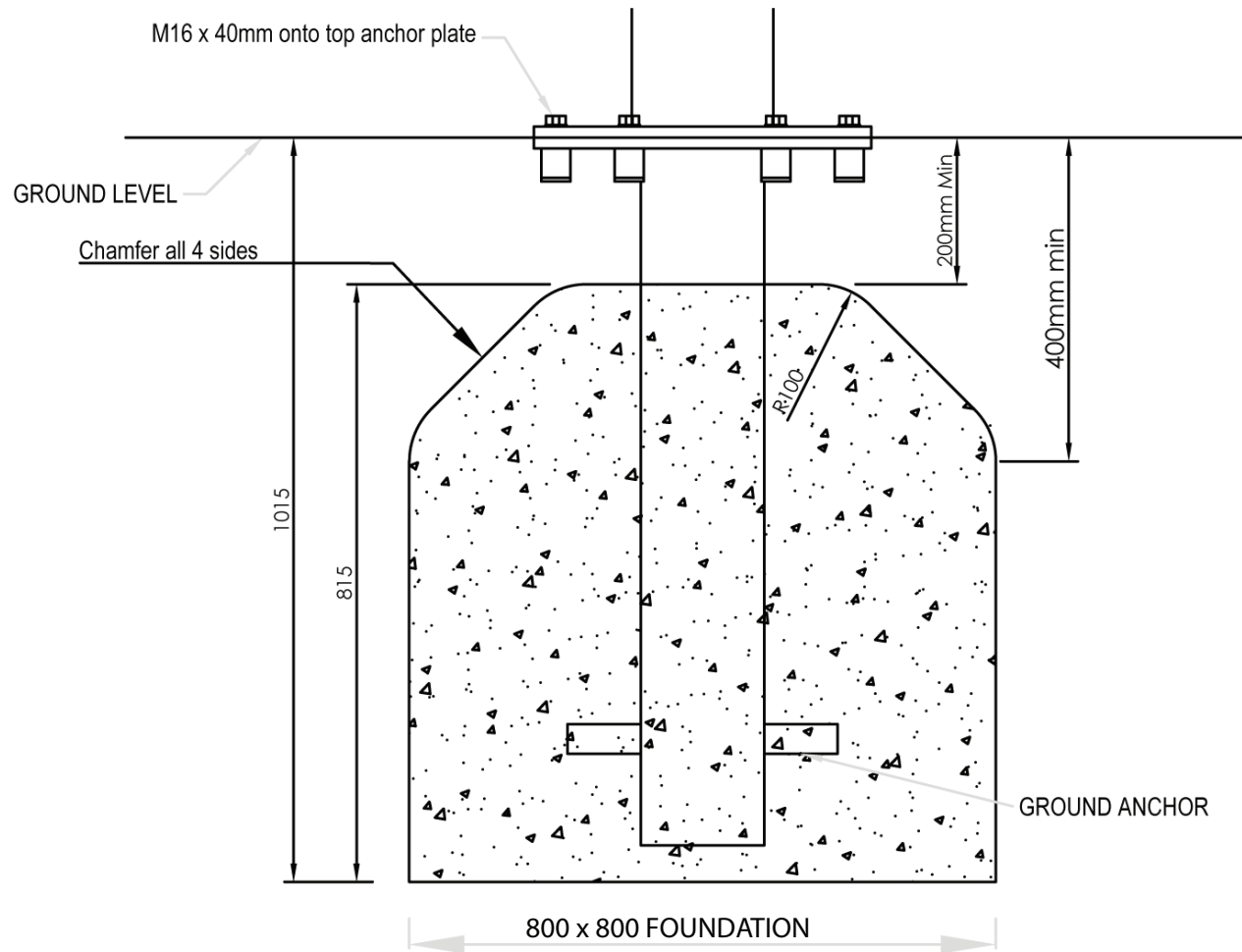


IP 16 Butterfly - Exploded View

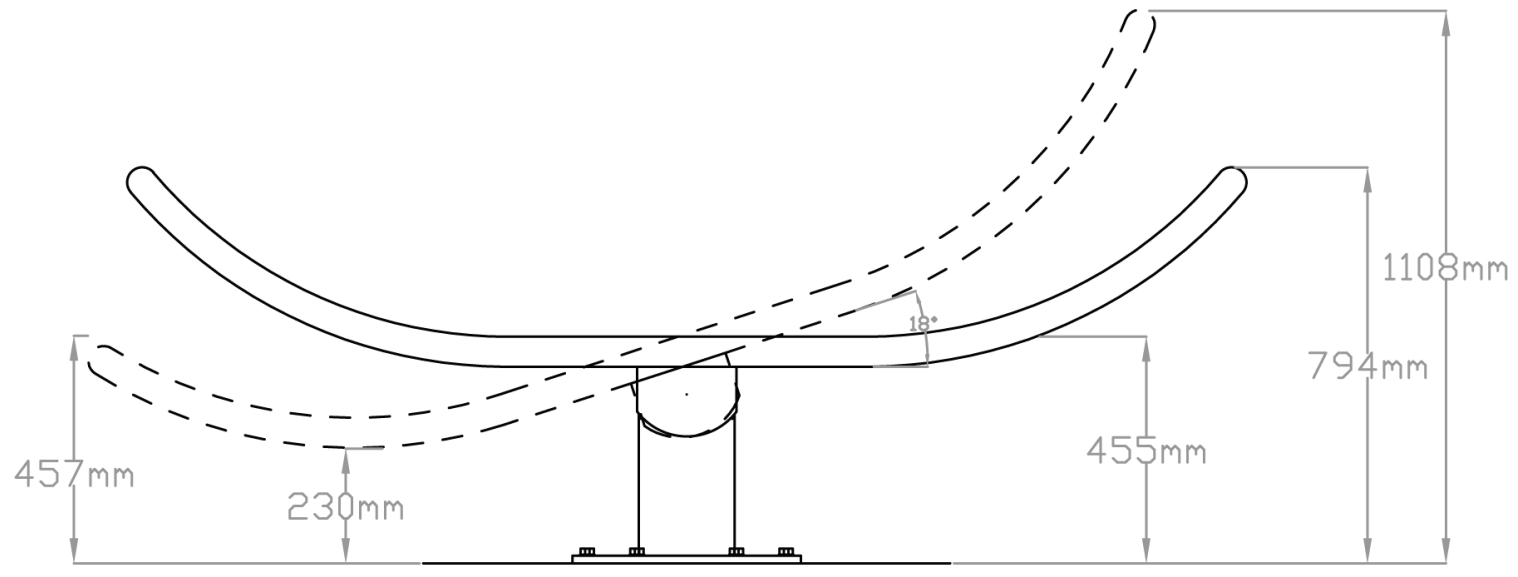


Item	QTY	Part Number	Description
1	1	IP16-BP	Base Platform
2	1	Bearing and Rosta Unit	
3	1	Ground Anchor	

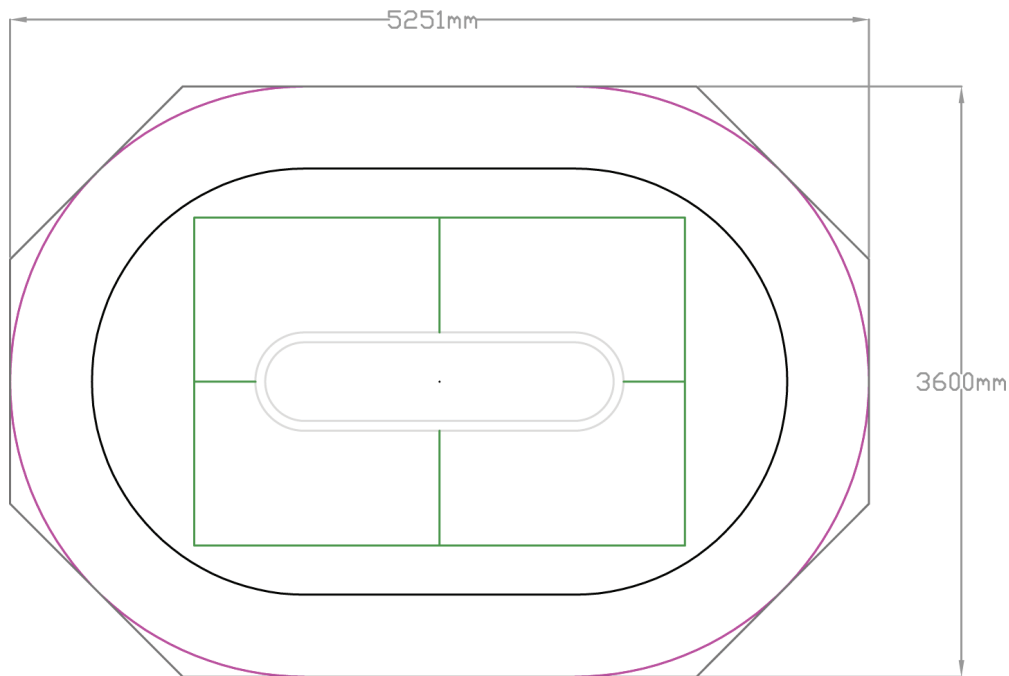
IP 16 Butterfly - Footing Details



IP 16 Butterfly - Height Details



IP 16 Butterfly - Safer Surfacing Details



Safer Surfacing Area	Area (m ²)
Wetpour circle	16.7
Wetpour octagon	16.7
Grassmats	4 mats (6 m ²)