

IP 01 Revolve

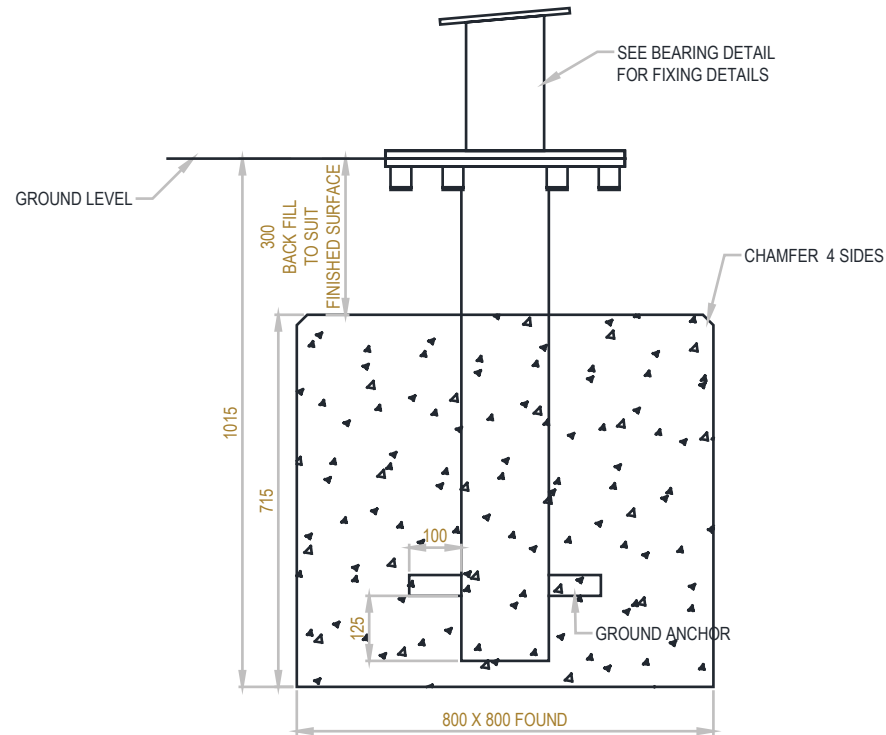


IP 01 Revolve - Exploded View

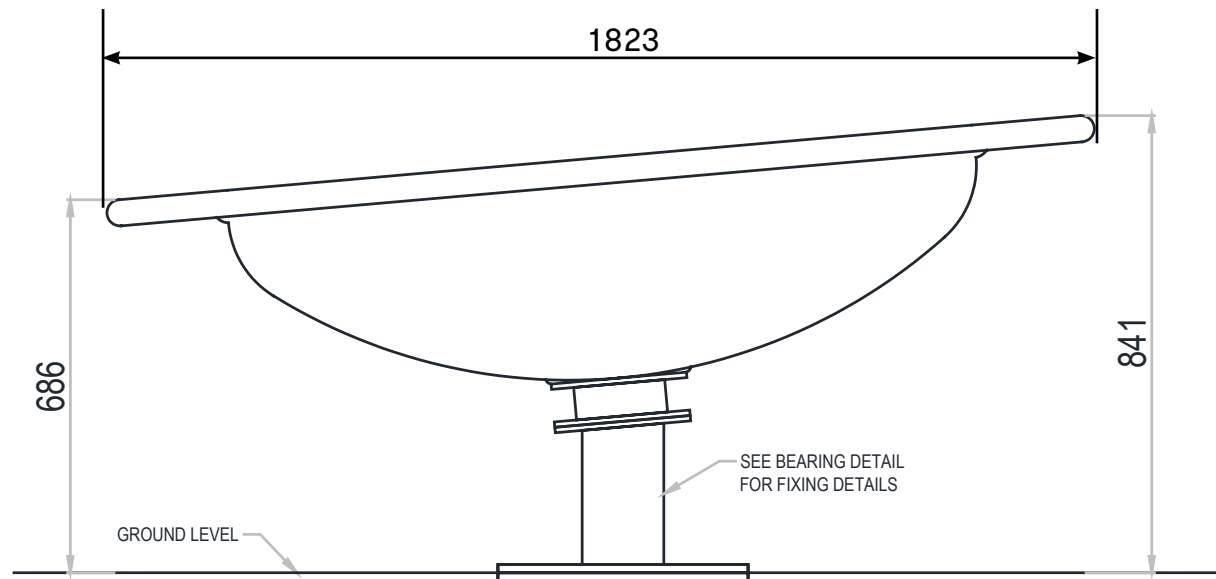


Item	QTY	Part Number	Description
1	1	Revolve Base	
2	1	Two Way bearing	
3	1	Ground Anchor	

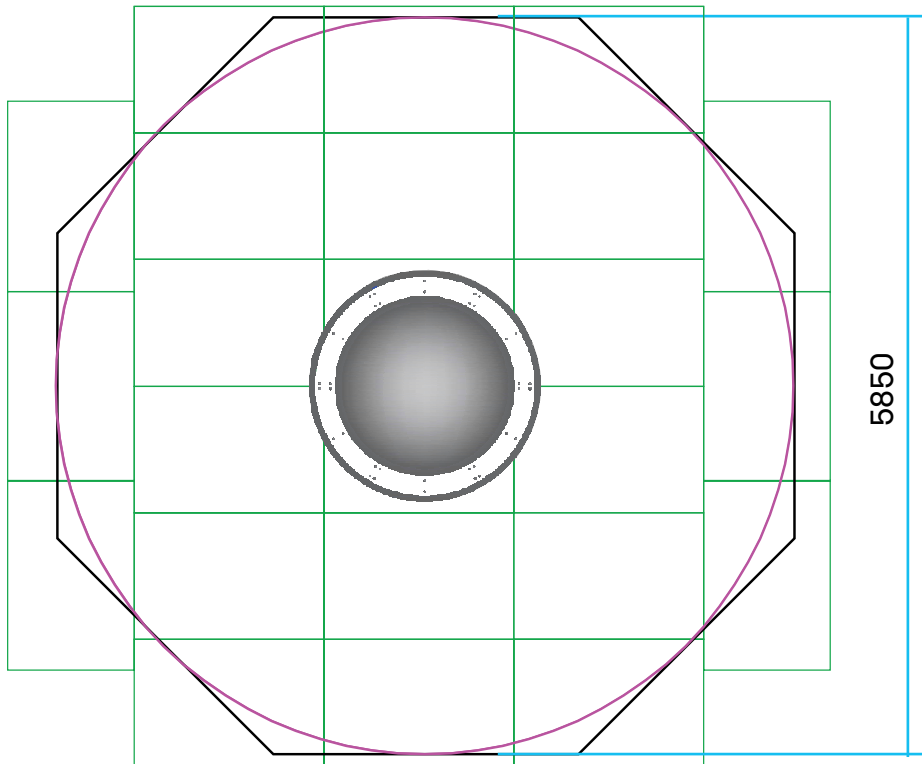
IP 01 Revolve - Footing Details



IP 01 Revolve - Height Details



IP 01 Revolve - Safer Surfacing Details



Safer Surfacing Area	Area (m ²)
Wetpour circle	26.42
Wetpour octagon	27.81
Grassmats	24 mats (36 m ²)