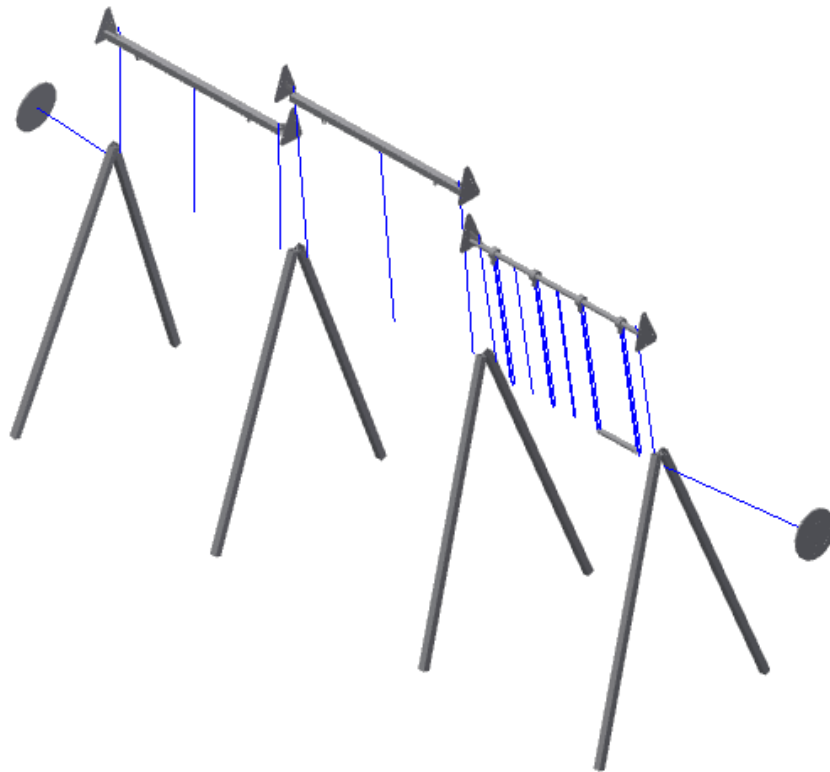


IP 25 Triple Bay Combination Swing

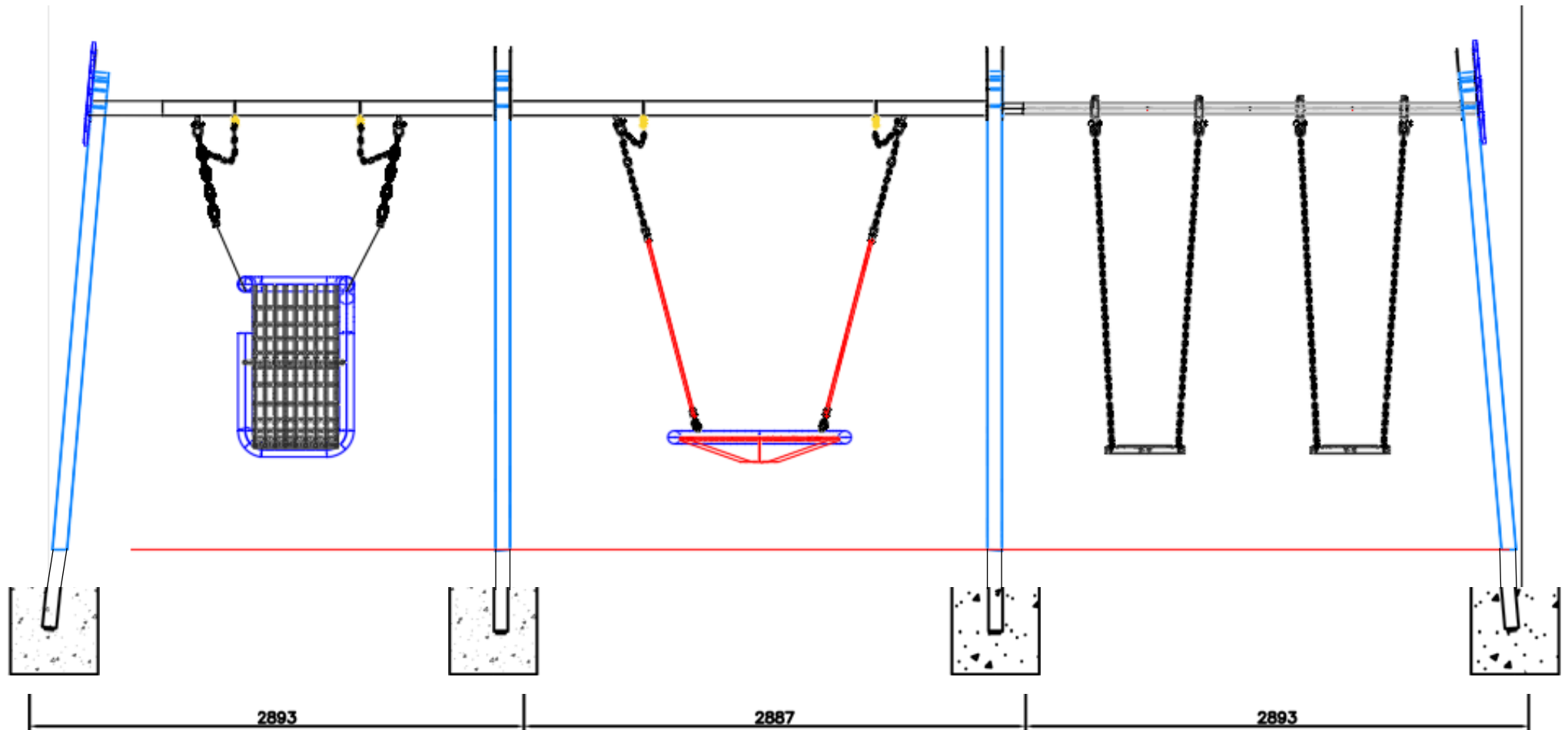


IP 25 Triple Bay Combination Swing - Exploded View

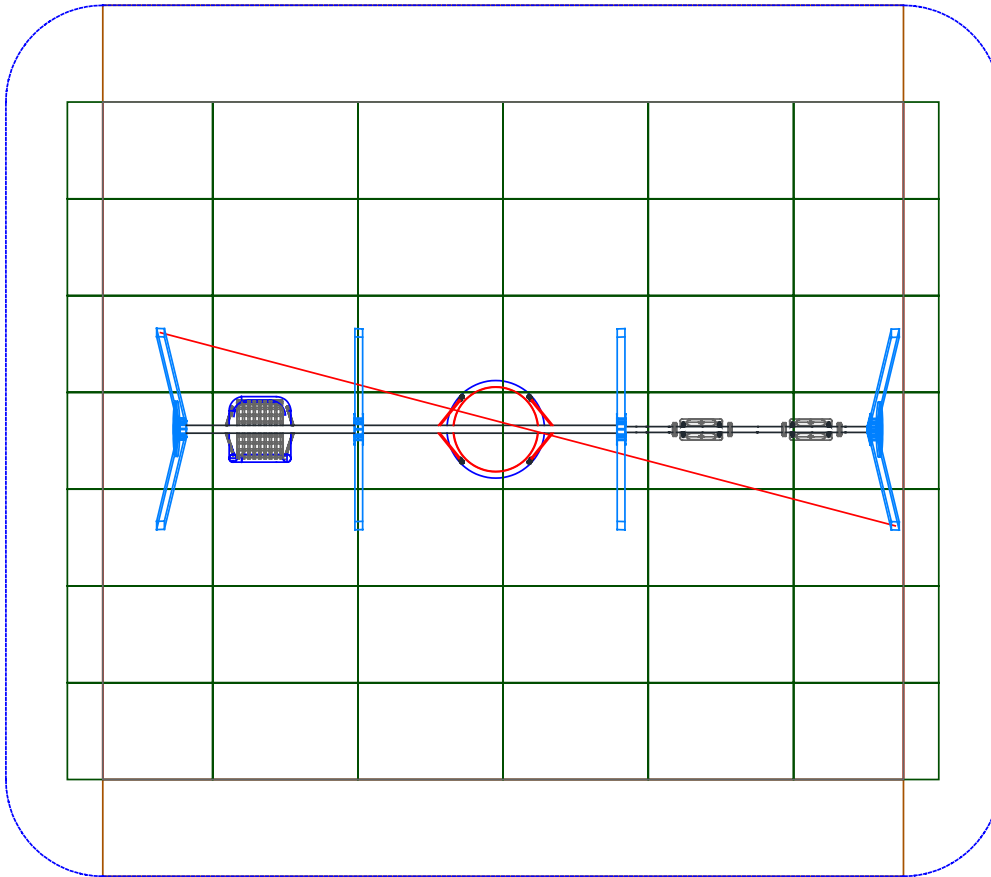


Item	QTY	Part Number	Description
1	8	SW04	Post 3.4m
2	2	SW-INC01	Smile Endplate
3	2	SW-3AF	Swing Crossbar Angled Flat
4	1	SW-3FF	Swing Crossbar Flat Flat
5	1	1235 06	Wave Swing & Chains
6	1	7425	Sit Up Swing & Chains
7	1	SW08	Anti Wrap Crossbar
8	2		Flat Swing & Chains
9	12	M12 x 100 Hex Bolt	
10	12	M12 x 110 Hex Bolt	
11	24	M12 Plastic Cap	
12	24	M12 Nyloc Nut	
13	4	Safety Chain (8mm Short Link Chain)	Cut to 150mm
14	4	BS29/1 Oilite Bearing	1/2 "bore x 19mm o/w 22mm
15	4	BS21	12.5mm Galv Swing Shackle
16	4	BS27/6	6mm Drilled Seloc c/w Pin
17	4	M10 x 115 Eyebolt	Eyebolt
18	4	BS47	7mm Yellow Component Connector
19	4	M10 x 35 CHS Bolt	
20	8	M10 Nyloc	
21	8	M10 Plastic Caps	
22	4	SW67-60	Anti-wrap bearings

IP 25 Triple Bay Combination Swing - Footing Details

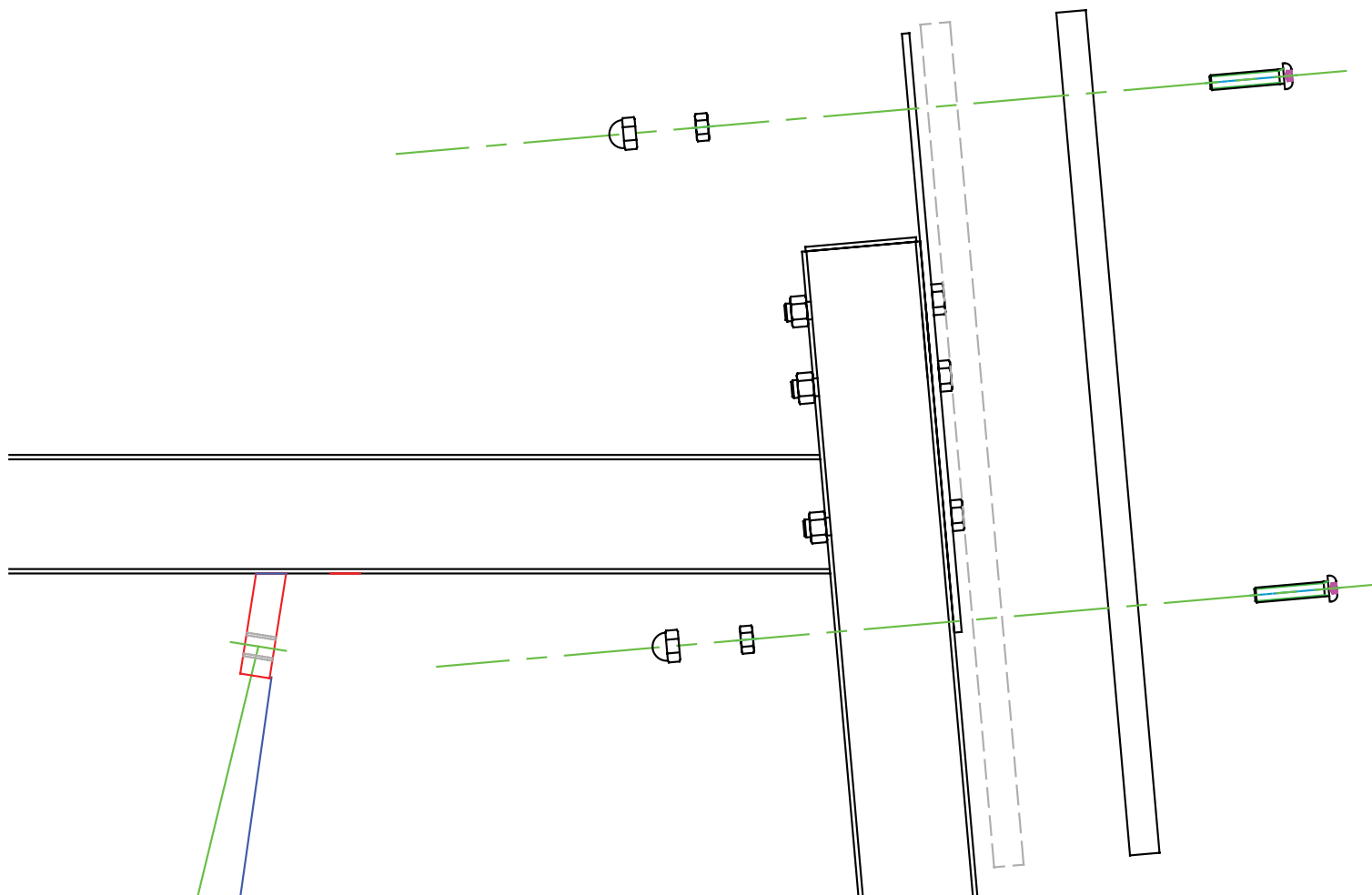


IP 25 Triple Bay Combination Swing - Safer Surfacing Details



Safer Surfacing Area	Area (m ²)
Wetpour	58
Grassmats	39 mats (58 m ²)
Loosefill	75

IP 25 Triple Bay Combination Swing - Plastic End Plate Assembly



IP 25 Triple Bay Combination Swing - Safety Chain Detail



SAFETY CHAIN DETAIL FOR WAVE SWING
TO BE APPLIED TO BOTH CHAINS

