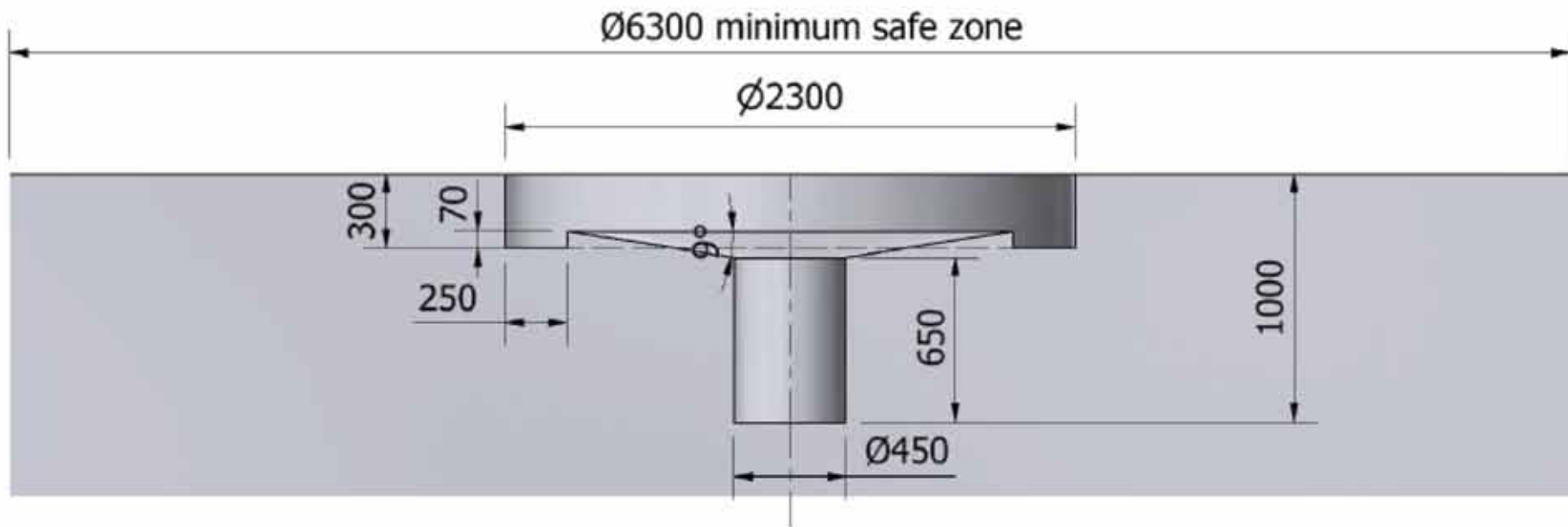


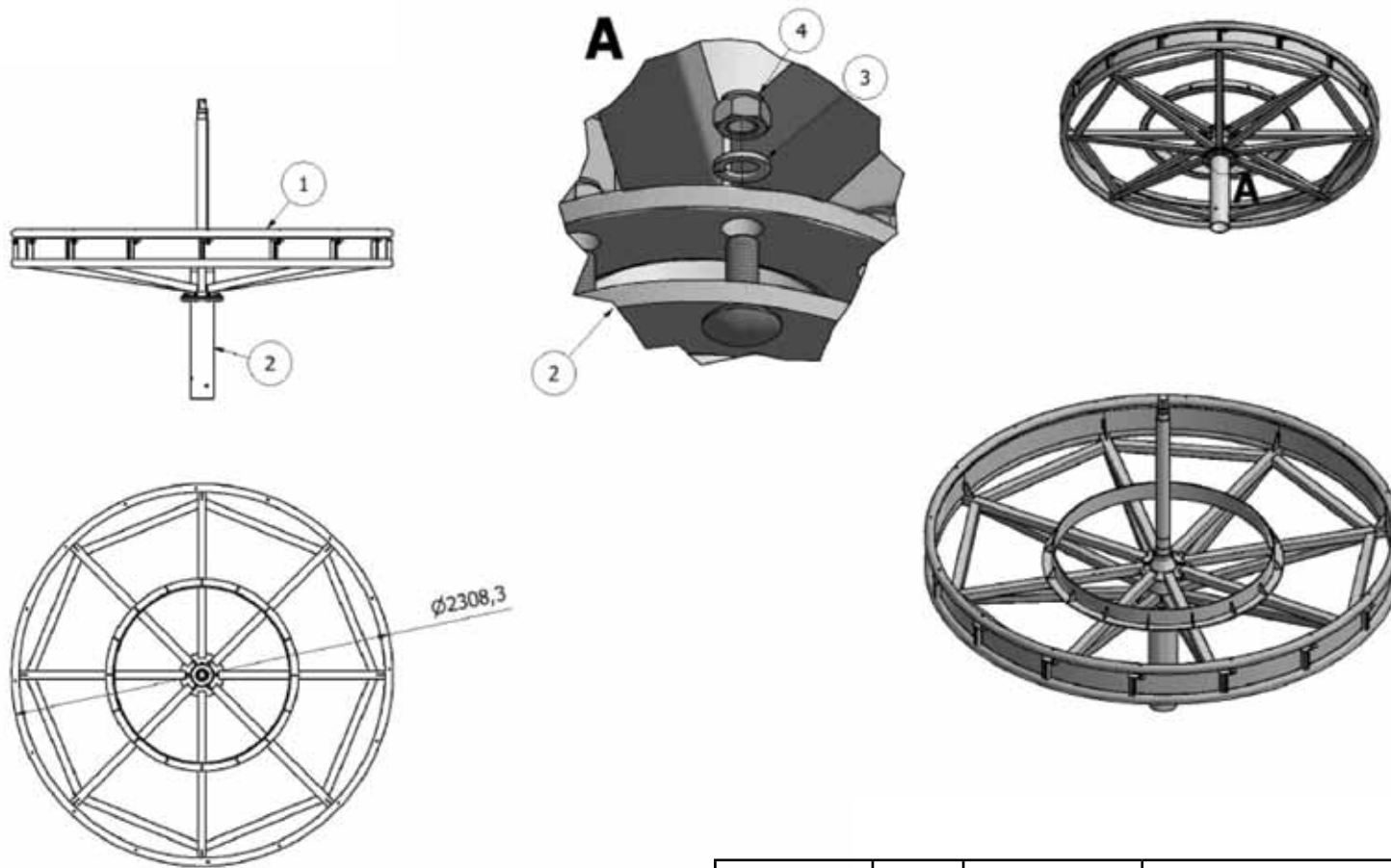
IP 10 Inclusive Carousel



IP 10 Inclusive Carousel - Stage 1



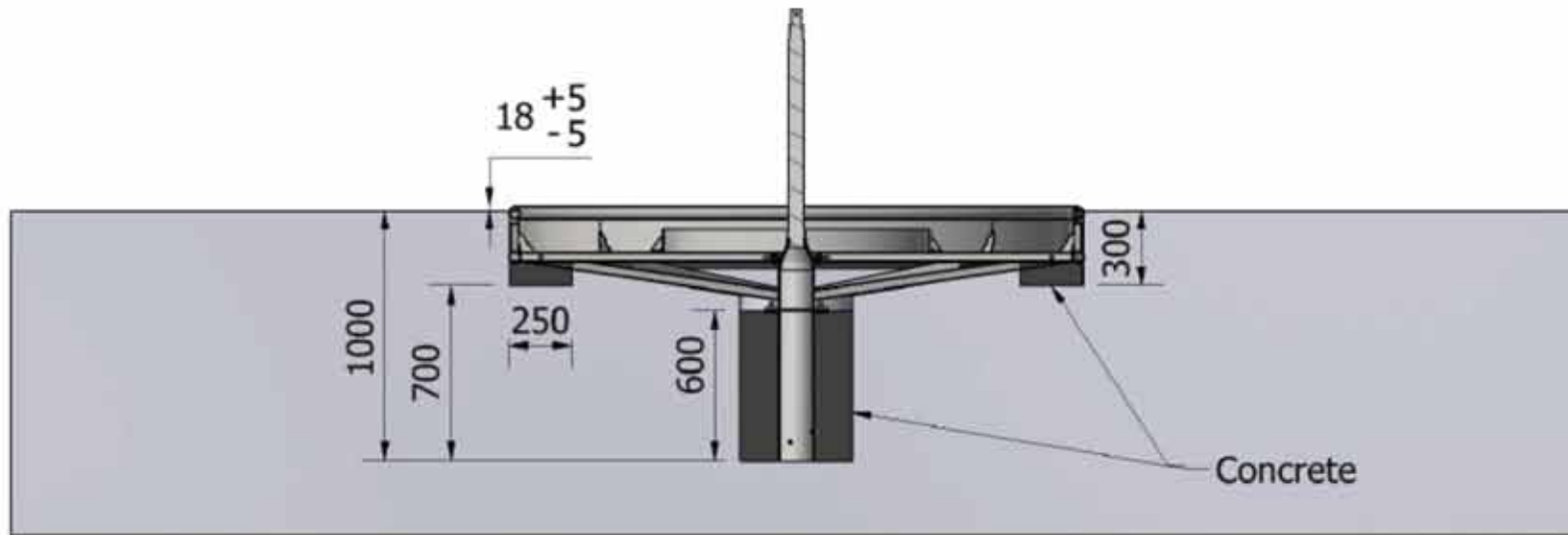
IP 10 Inclusive Carousel - Stage 2



Firmly screw before setting, leveling and filling the foundation

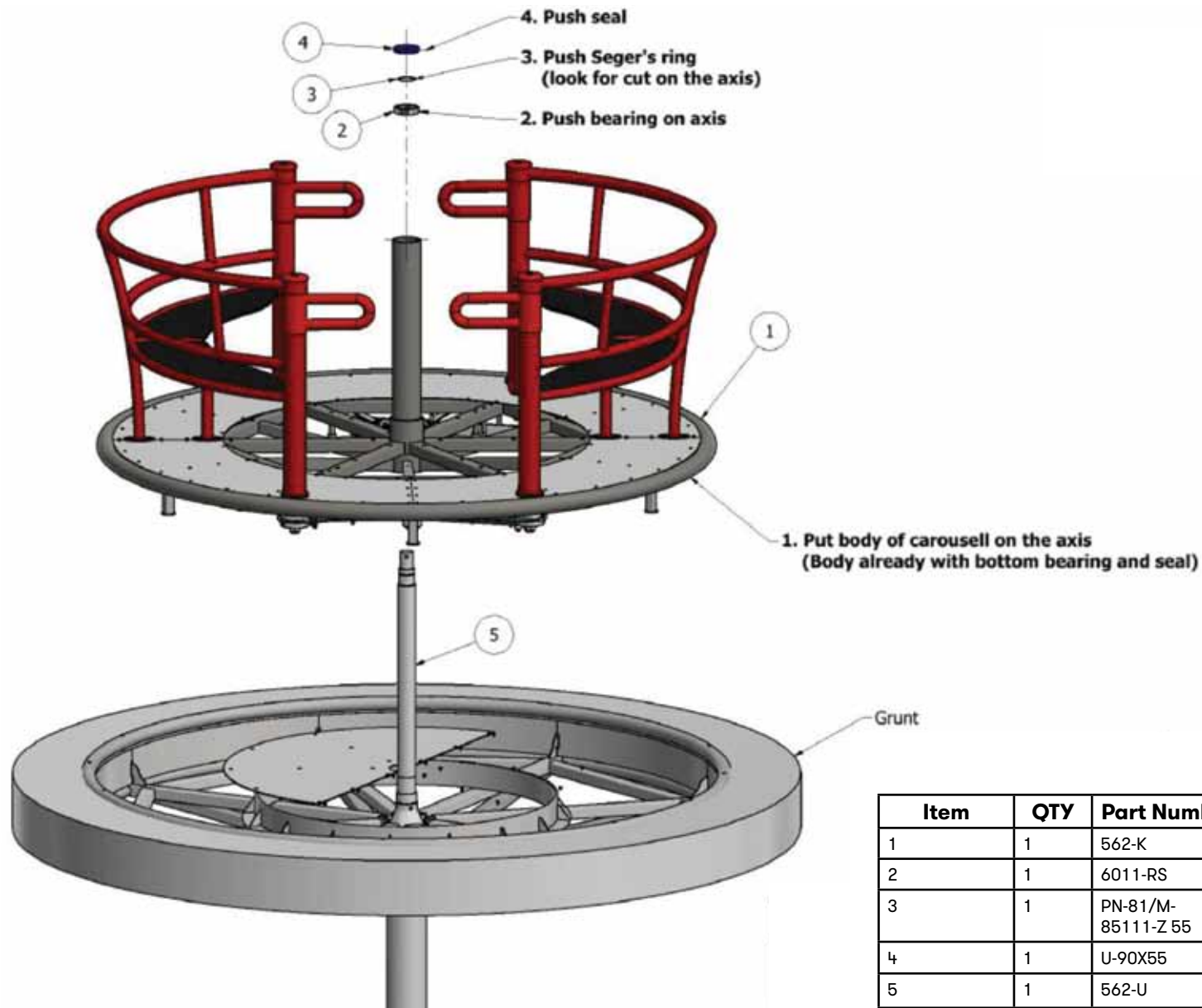
Item	QTY	Part Number	Description
1	1	526-U	Foundation
2	1	56-UG	Foundation - axis
3	8	A16 DIN 128	Spring type washer
4	8	M16 ANSI B18.16.3M	Nut

IP 10 Inclusive Carousel - Stage 3



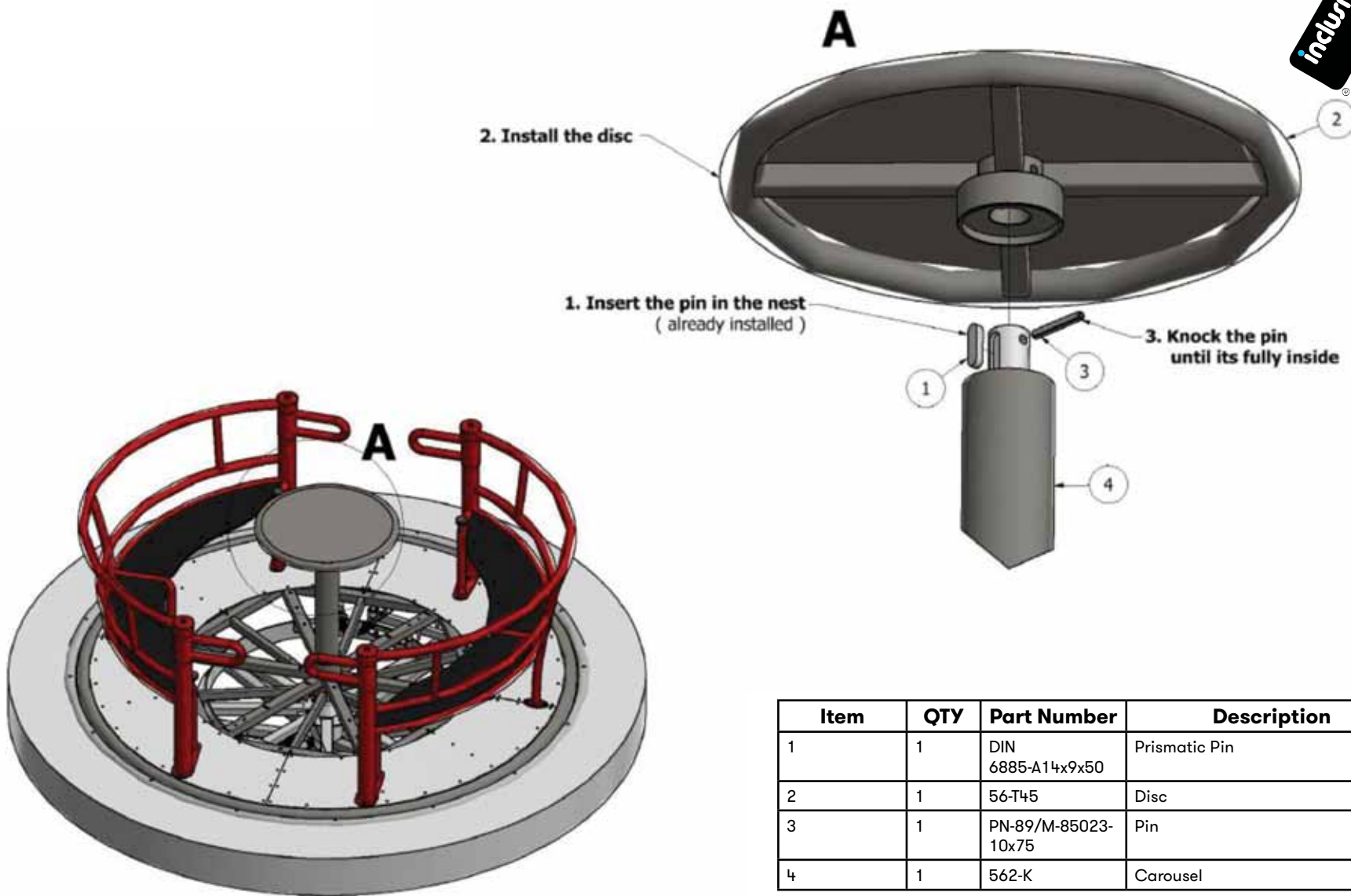
0,3m³ concrete

IP 10 Inclusive Carousel - Stage 4

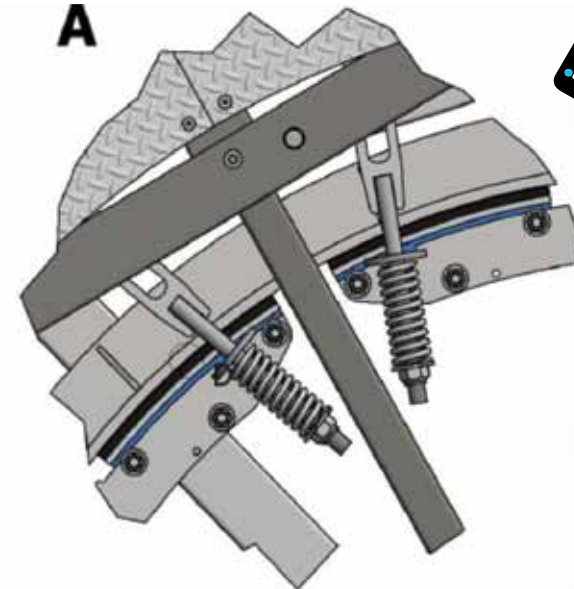
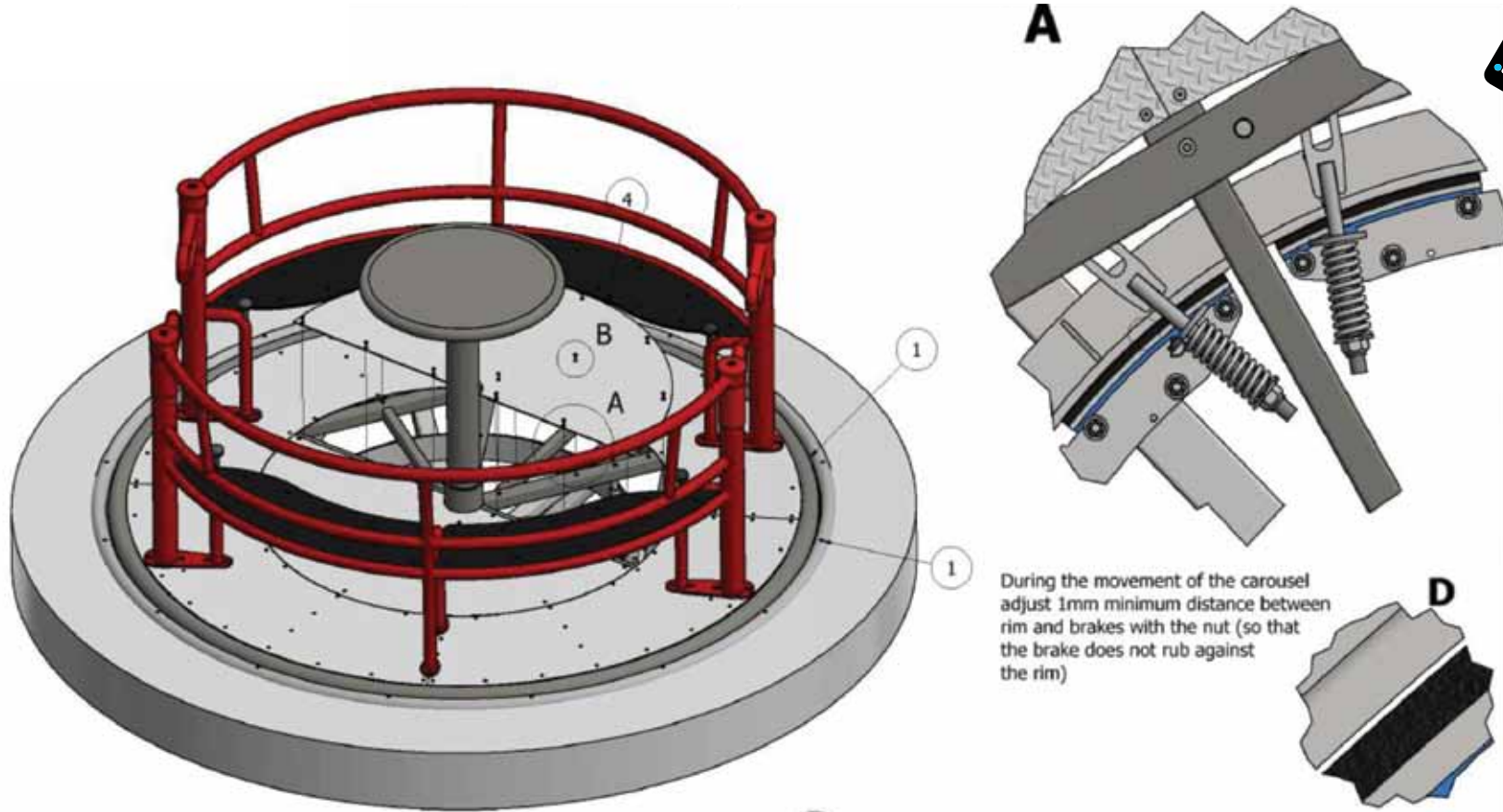


Item	QTY	Part Number	Description
1	1	562-K	Carousel
2	1	6011-RS	Bearing
3	1	PN-81/M-85111-Z 55	Seager's Ring
4	1	U-90X55	Sealing
5	1	562-U	Foundation

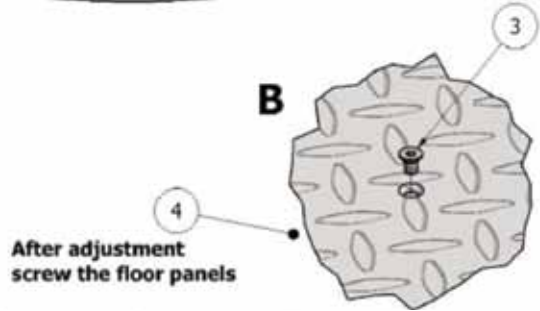
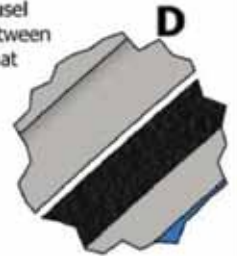
IP 10 Inclusive Carousel - Stage 5



IP 10 Inclusive Carousel - Stage 6

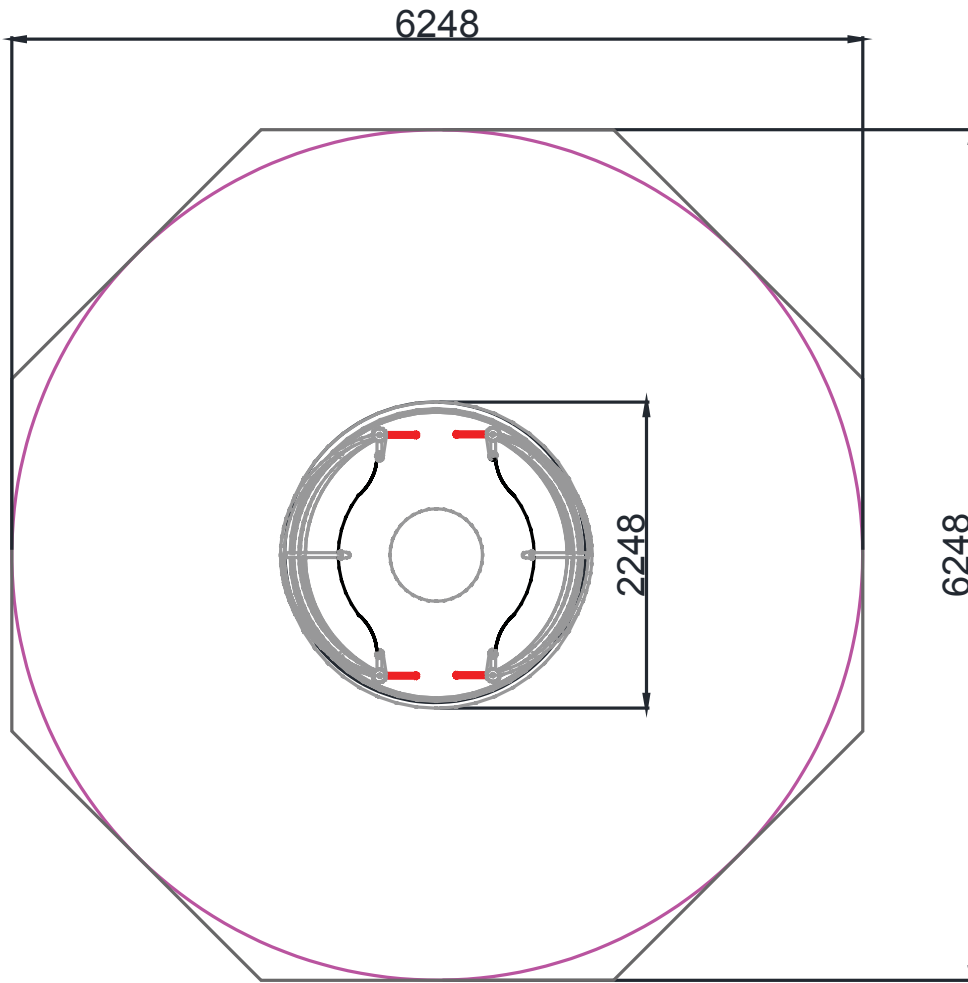


During the movement of the carousel adjust 1mm minimum distance between rim and brakes with the nut (so that the brake does not rub against the rim)



Item	QTY	Part Number	Description
1	1	562-U	Foundation
2	1	562-K	Carousel
3	30	ISO 10642 - M6 x 10	Screw With Countersunk Head
4	2	56-KPW	Floor Panel

IP 10 Inclusive Carousel - Safer Surfacing Details



Safer Surfacing Area	Area (m ²)
Wetpour circle	27.7
Wetpour octagon	32.3
Grassmats	Not Recommended