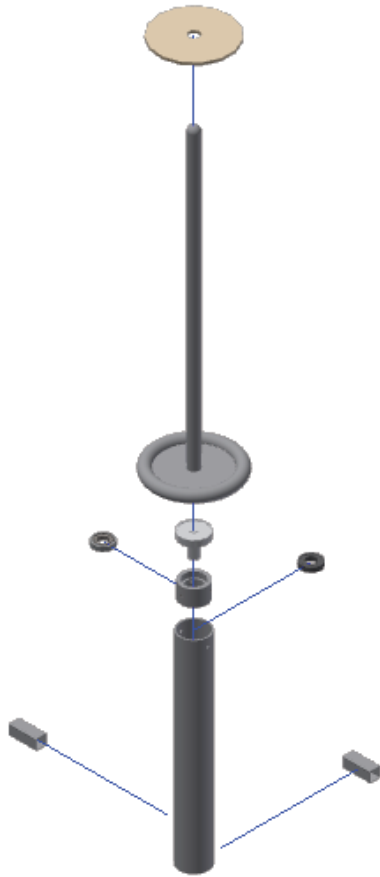


IP 06 Pirouette

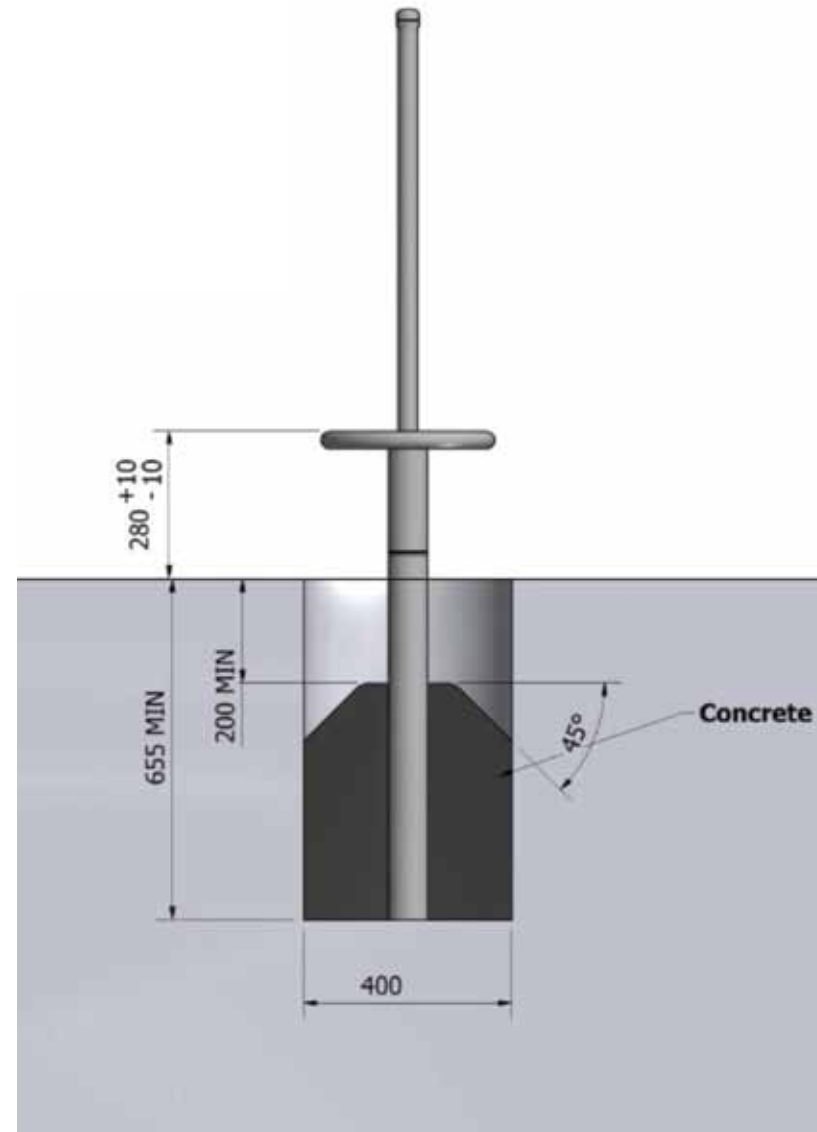


IP 06 Pirouette - Exploded View

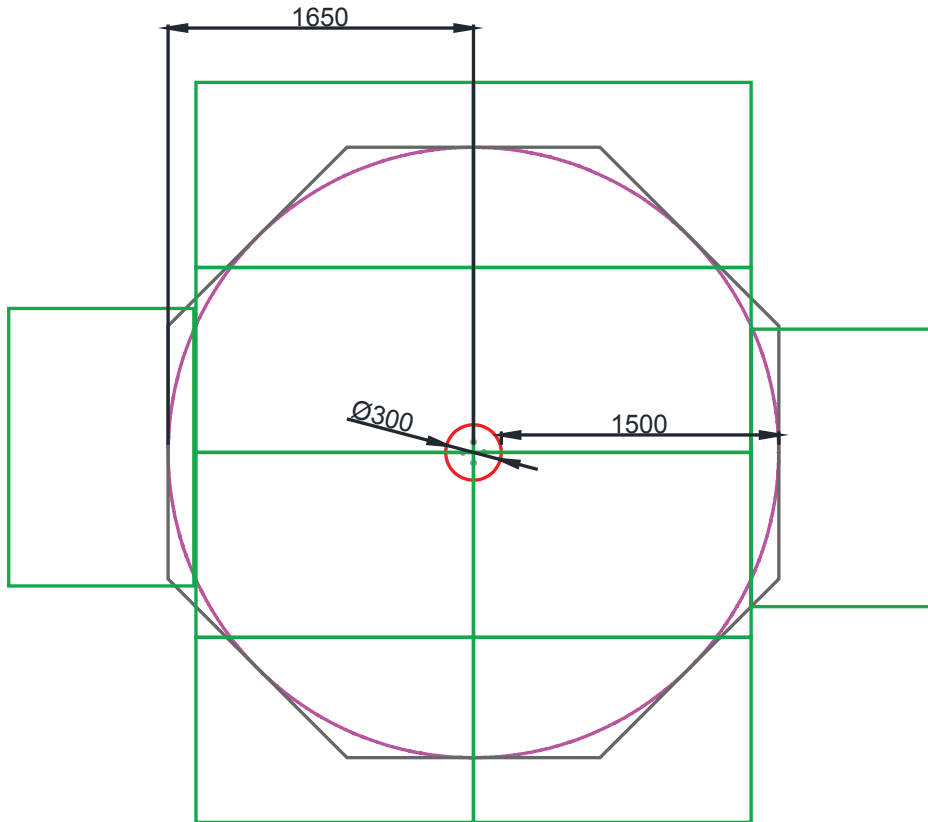


Item	QTY	Part Number	Description
1	1	IP_BE_H	Bearing Housing
2	1	IP_BE_SH	Bearing Shaft
3	1	IP_GA_MP	Main Post
4	1	6207 Ball Bearing	Standard Ball Bearing
5	1	IP_PI_B	Pirouette Base
6	1	IP_PI_TP	Pirouette Top Plate
7	1	7202 BE-2RZP	BA1_001_101- Angular contact ball bearings single row

IP 06 Pirouette - Footing Details



IP 06 Pirouette - Safer Surfacing Details



Safer Surfacing Area	Area (m ²)
Wetpour circle	8.6
Wetpour octagon	9
Grassmats	10 mats (15 m ²)