

# Specification Sheet



**Product Name:** MOONWALKER  
**Product Code:** IP03  
**Registration Number:** 3025743

The Moonwalker roundabout revolves around a central point at a fixed angle. Its unique design means that children can spin themselves while on the dish, or lie back and be spun by someone else. You can even walk or run on the Moonwalker due to its non-slip HDPE Grip surfacing. Suits all ages and abilities and will only go as fast as the child's ability will allow.



Call us on

# 0844 4990214

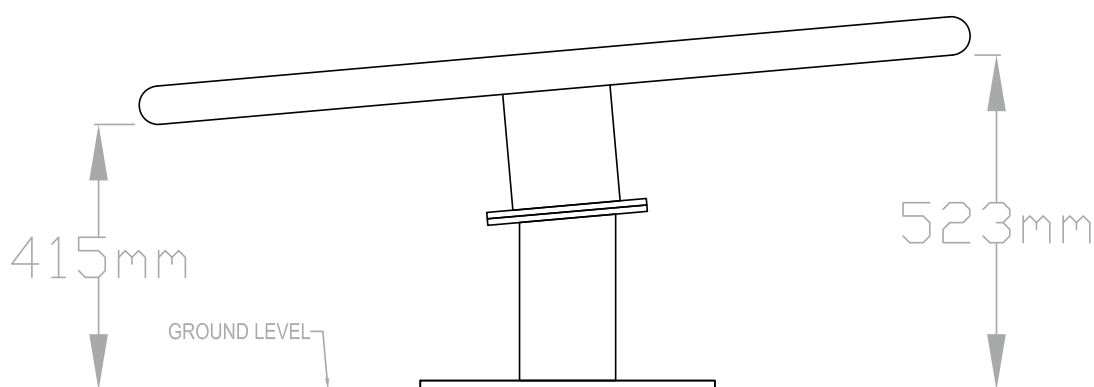
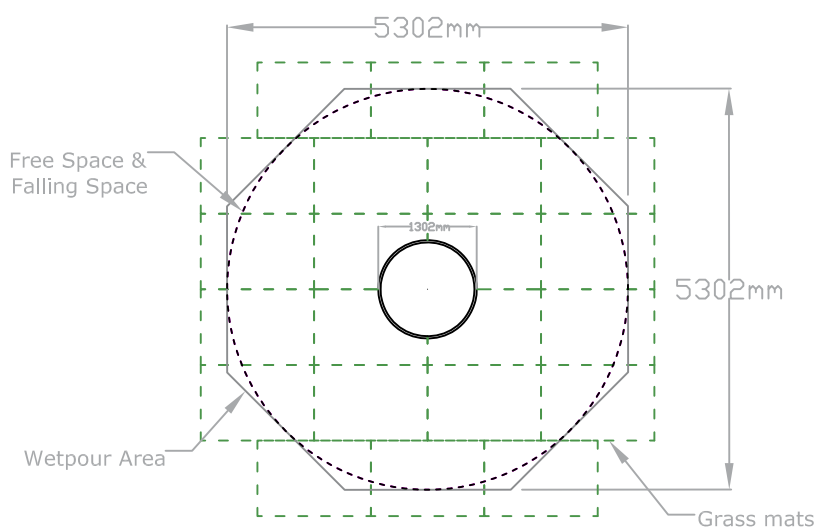
[info@inclusiveplay.com](mailto:info@inclusiveplay.com)  
[www.inclusiveplay.com](http://www.inclusiveplay.com)

Inclusive Play Limited 14 Swanston Steading, 109 Swanston Road, Edinburgh EH10 7DS  
Telephone: 0844 499 0214, Fax: 0131 445 7980, Email: [info@inclusiveplay.com](mailto:info@inclusiveplay.com)

# Specification Sheet



Product Name:	MOONWALKER
Product Code:	IP03
Registration Number:	3025743
Age Range:	3 to 10 years
Number of Users:	2 users
Free space and Surfacing:	26m <sup>2</sup>
FFH:	0.5m
Angle of incline:	5°
No. of grass mats required:	22
Materials:	Mild Steel Galvanised with HDPE Grip Surfacing



Sizes are in millimetres

Call us on

# 0844 4990214

info@inclusiveplay.com  
www.inclusiveplay.com

Inclusive Play Limited 14 Swanston Steading, 109 Swanston Road, Edinburgh EH10 7DS  
Telephone: 0844 499 0214, Fax: 0131 445 7980, Email: info@inclusiveplay.com