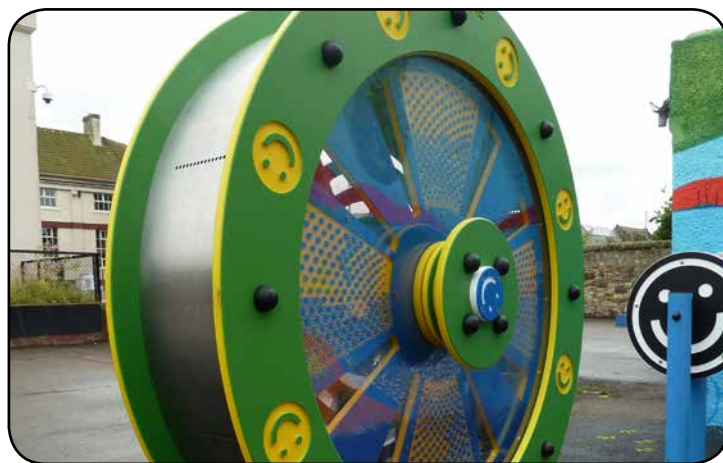
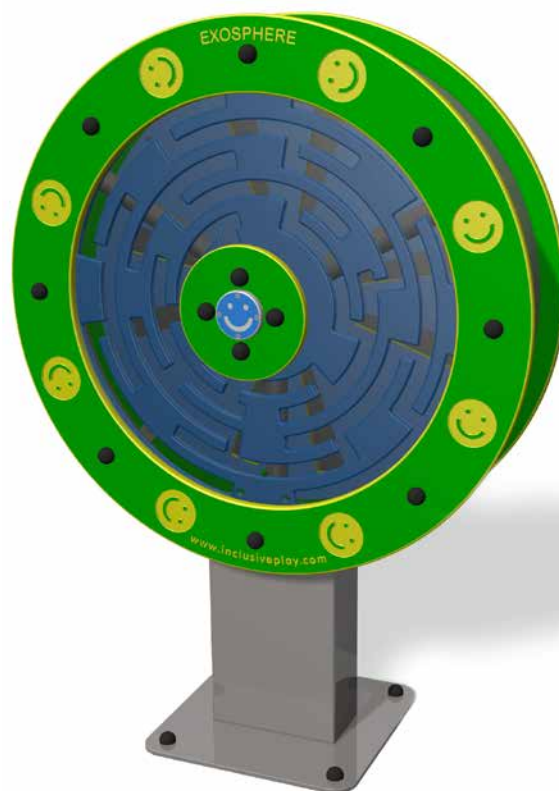


Specification Sheet



Product Name: EXOSPHERE
Product Code: IP02
Registration Number: 4000811

The Exosphere is designed to engage the users through dynamic movement, science and problem solving. The central games of each side of the panel are independently interchangeable. This allows the unit to be updated frequently and easily. The games on the panel are accessed from both sides and can have contrasting, complimentary or competitive games. Designed, as with all our products to stimulate as many senses as possible, with the wheel set at an optimal height for a wheelchair user.



Call us on

0844 4990214

info@inclusiveplay.com
www.inclusiveplay.com

Inclusive Play Limited 14 Swanston Steading, 109 Swanston Road, Edinburgh EH10 7DS
Telephone: 0844 499 0214, Fax: 0131 445 7980, Email: info@inclusiveplay.com

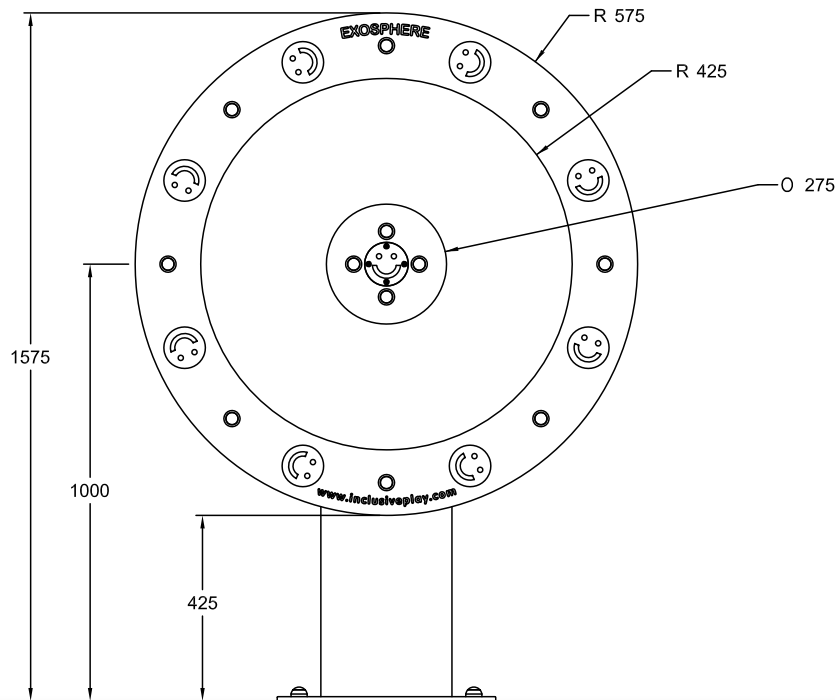
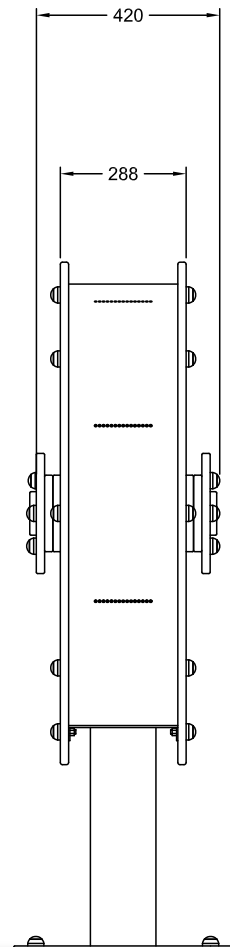
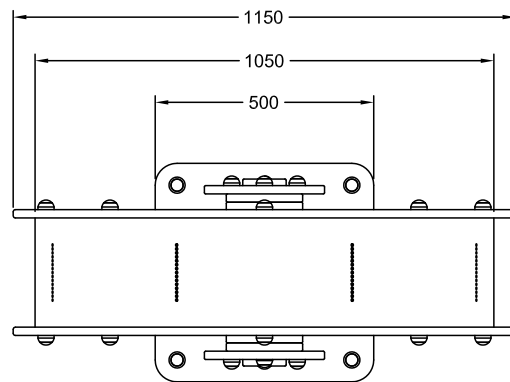
Specification Sheet



Product Name: EXOSPHERE
Product Code: IP02
Registration Number: 4000811

Age Range: 2 years +
Number of Users: 2 users

Surfacing: n/a
Free space: 1.5m circulation area
Materials: Housing = Powder Coated Mild Steel, HDPE and Polycarbonate.
Games: Tumbling ball maze and Rain wheel



Sizes are in millimetres

Call us on

0844 4990214

info@inclusiveplay.com
www.inclusiveplay.com

Inclusive Play Limited 14 Swanston Steading, 109 Swanston Road, Edinburgh EH10 7DS
Telephone: 0844 499 0214, Fax: 0131 445 7980, Email: info@inclusiveplay.com