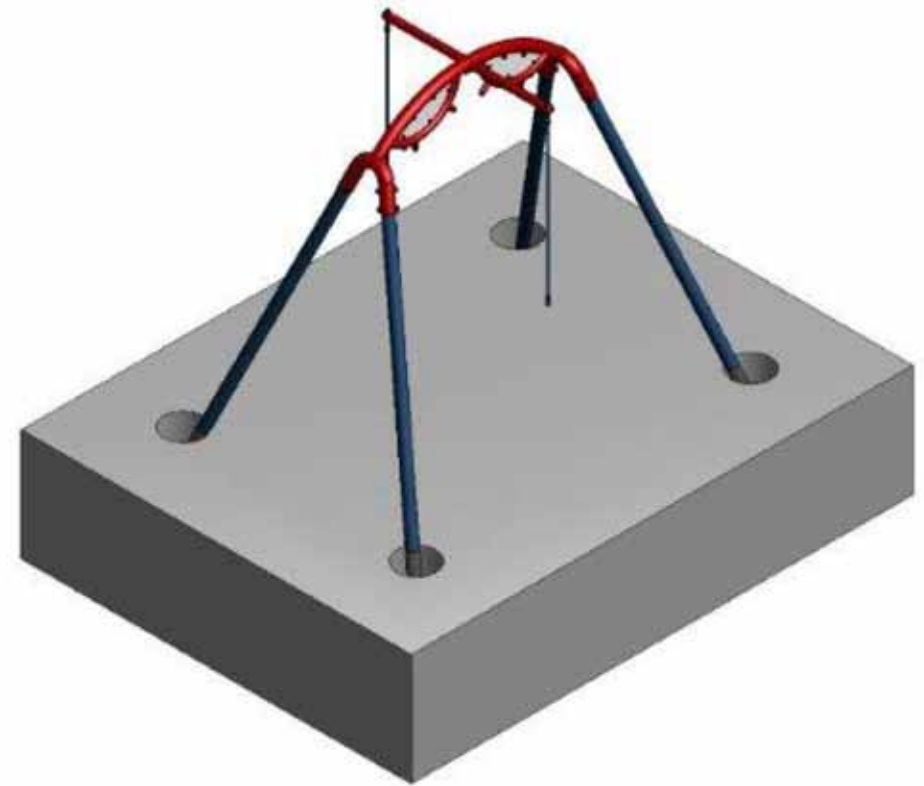
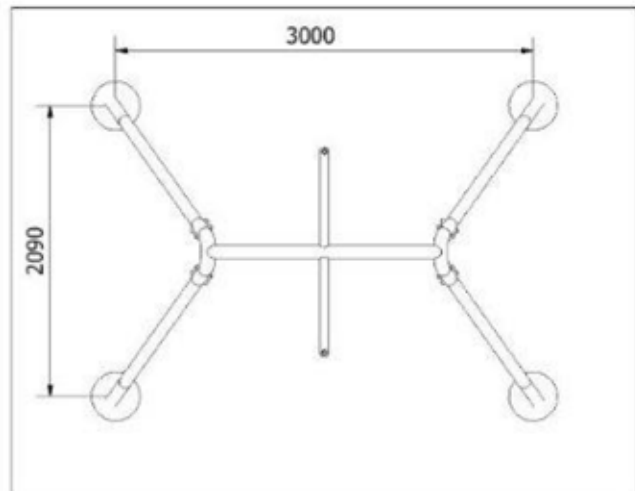
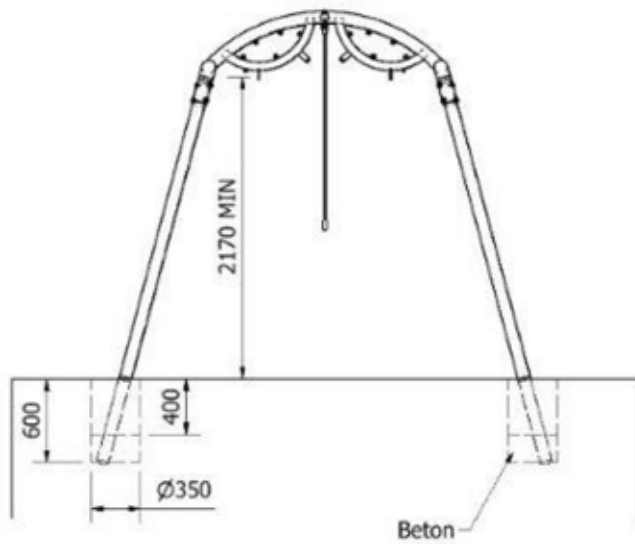


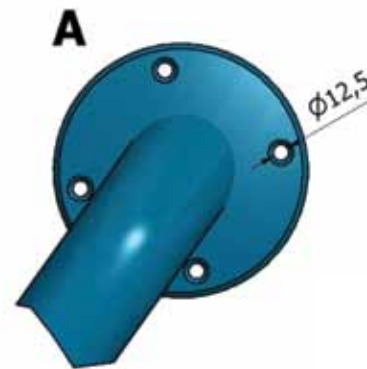
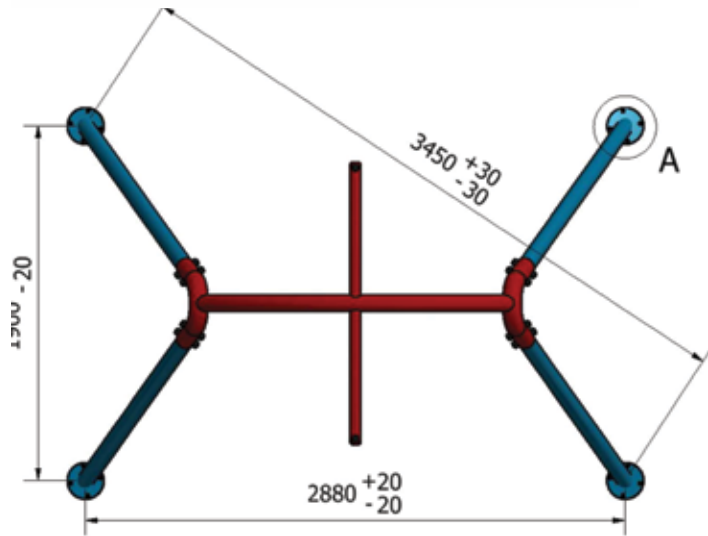
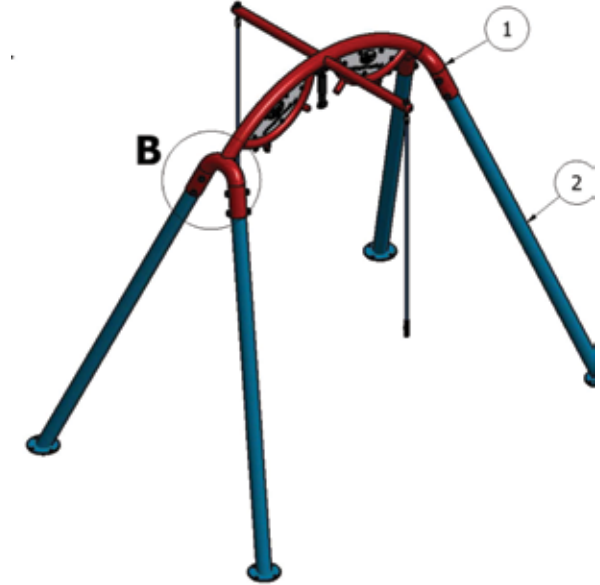
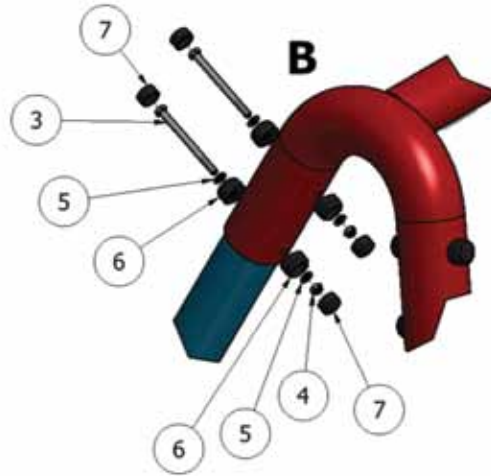
IP 15 iSwing



IP 15 iSwing - Footing Details

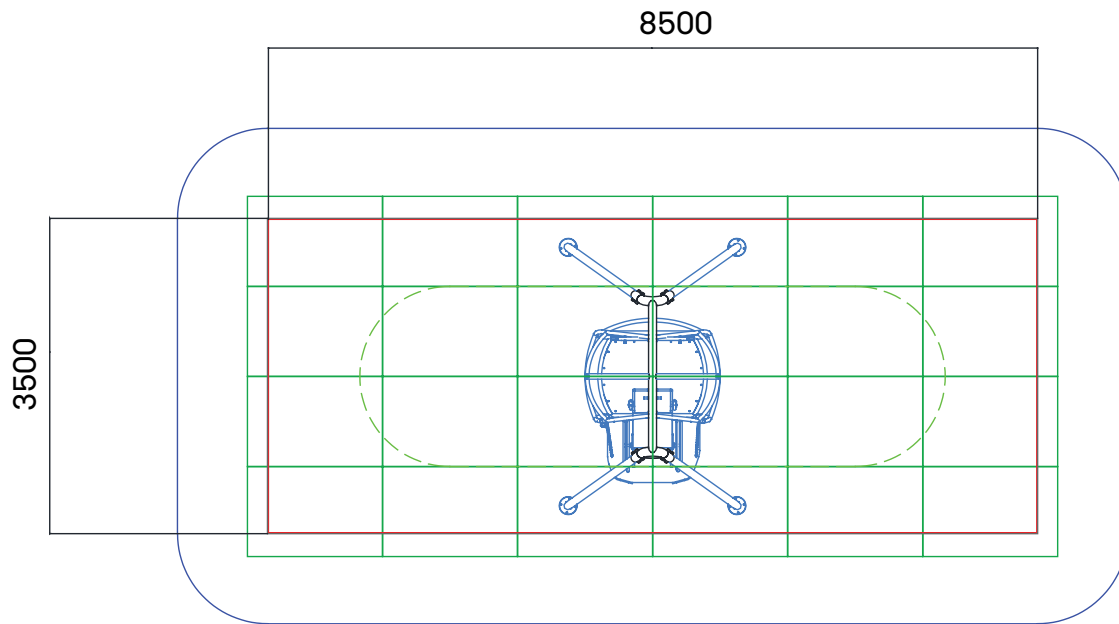


IP 15 iSwing - Surface Mounted Details



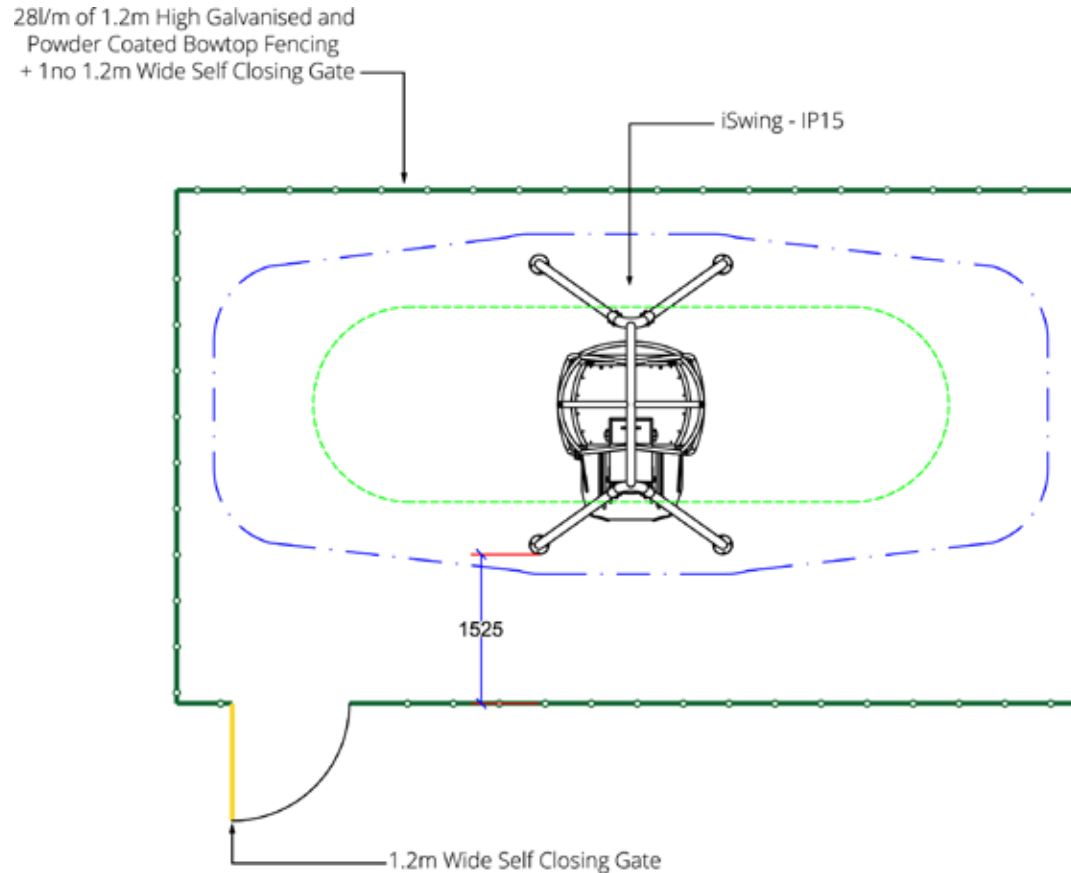
Item	QTY	Part Number	Description
1	1	61R1	Swing's Frame - Set
2	4	60SG	Pole
3	8	M10 x 120 DIN4016	Bolt
4	8	M10 ISO 4033	Nut
5	16	10-20 ANSI B18.22 M	Washer
6	16	157-001 POLYFIX	Roundet Covered end R=60
7	18	TZ-PC POLYFIX	Cover with Boltcover

IP 15 iSwing - Safer Surfacing Details



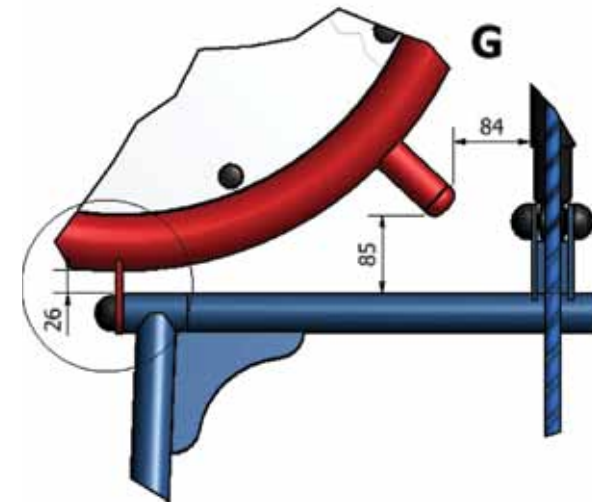
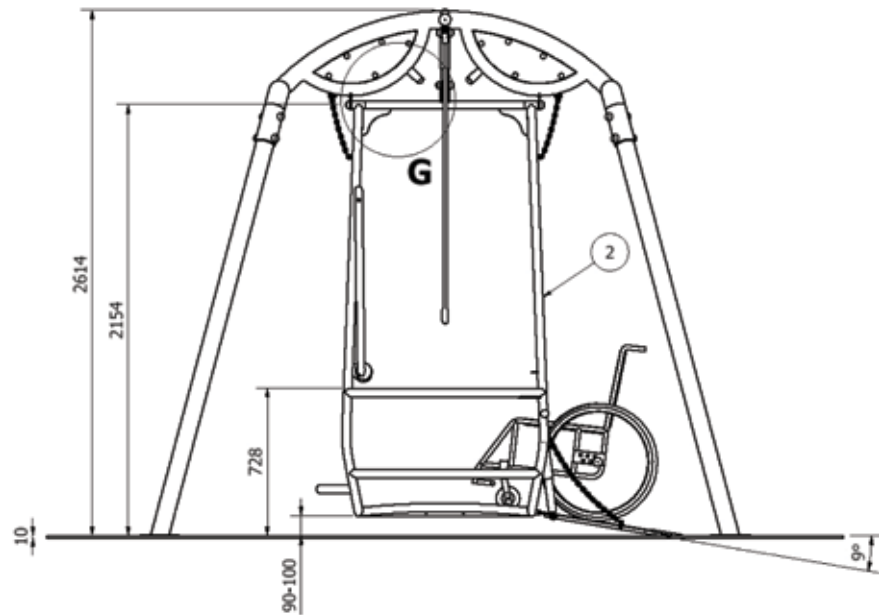
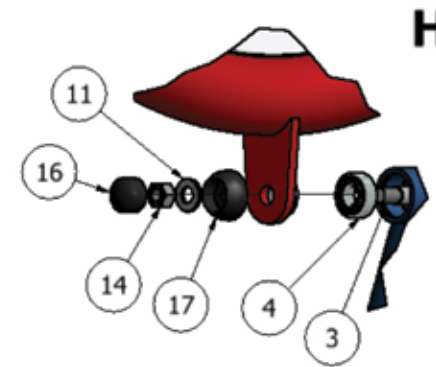
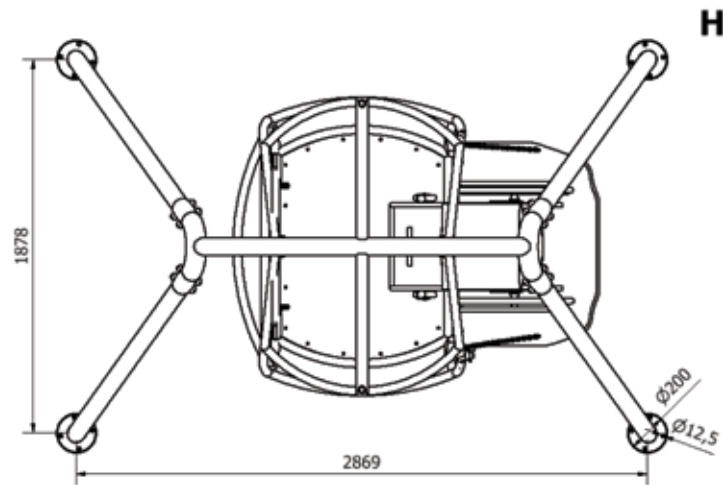
Safer Surfacing Area	Area (m ²)
Wetpour	30
Grassmats	24 mats (36 m ²)

IP 15 iSwing - Safer Surfacing Details with Fencing



Safer Surfacing Area	Area (m ²)
Wetpour (9000 x 4000)	36

IP 15 iSwing - Assembly Details



IP 15 iSwing - Assembly Details

