

Product Name: iSwing

Product Code: IP15



# iSWING



This fully wheelchair accessible swing is designed for use in both public and closed settings. The swing can be pushed by a friend, parent or carer or for users with upper body strength and manual dexterity, the suspended handholds can be pulled to make the swing move. The ramp lifts up to give a secure enclosure round the user.

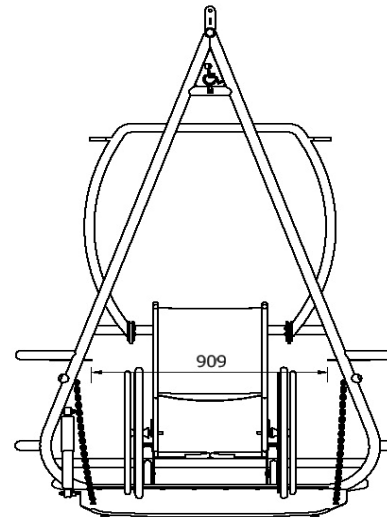
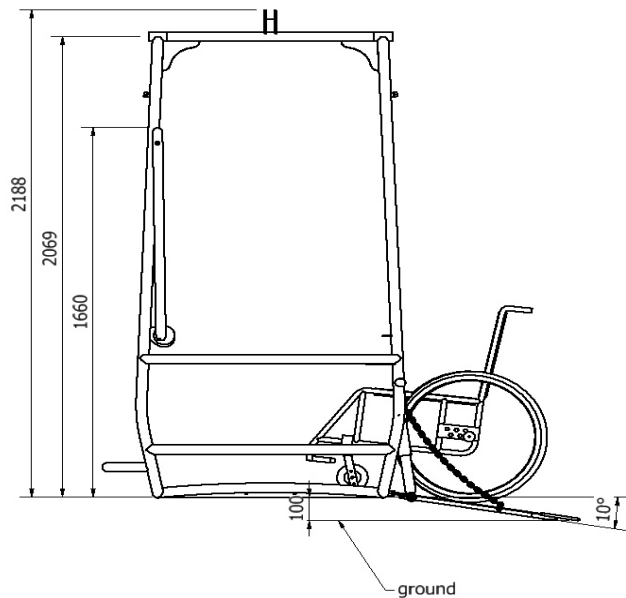
[www.inclusiveplay.com](http://www.inclusiveplay.com)

Product Name: iSwing

Age Range: All

Product Code: IP15

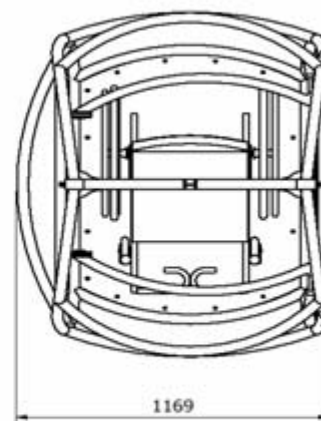
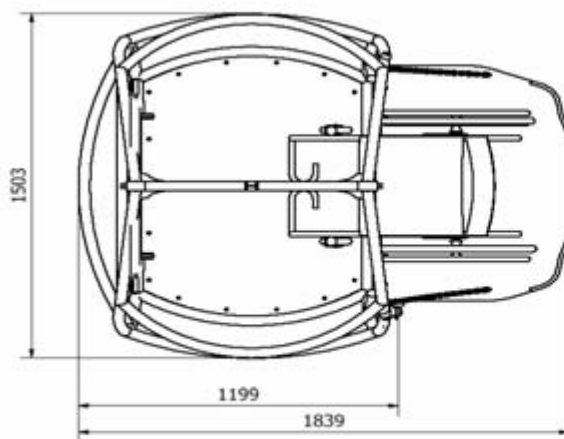
Number of Users: 1



Freespace and Surfacing = 24m<sup>2</sup> FFH = <1m

Dimensions = W2700 x L1940 x H2270

Materials: galvanised steel tube, powder coated. Aluminium checker plate integral flooring.



TüV Certified

[www.inclusiveplay.com](http://www.inclusiveplay.com)