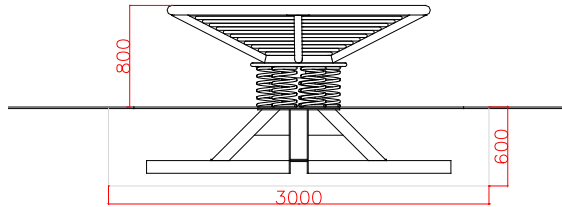


IP13 VORTEX

INSTALLATION INSTRUCTIONS



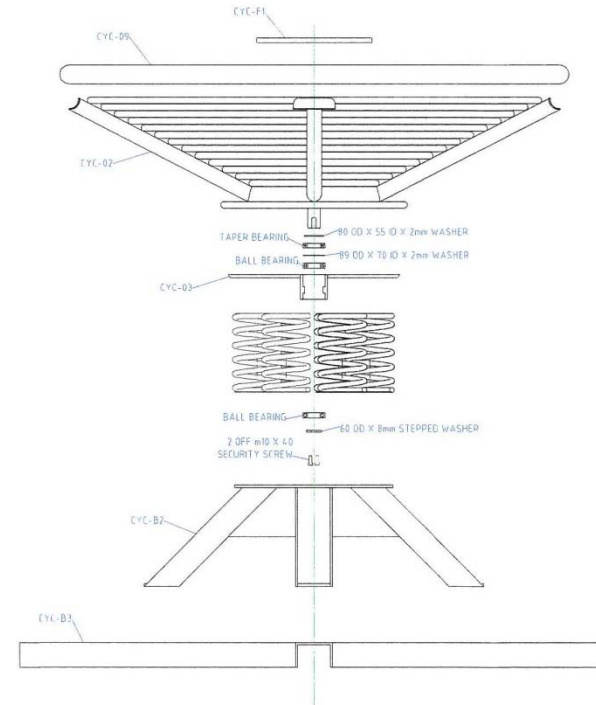
The ground anchor should be allowed to set in the concrete for 120 hours before fixing the main assembly

No. of People required: 3

No. of Hours required: 1 day

Weight of heaviest part: 210kg

Item	Part No	Description	Qty
1	CYC-01	Main Assembly	1
2	CYC-B2	Base Anchor Stand	1
3	CYC-B3	Base Anchor Frame Long Section	1
4	CYC-B3	Base Anchor Frame Short Section	2
5	M12x40	M12x40 Hex Screw	16



www.inclusiveplay.com

