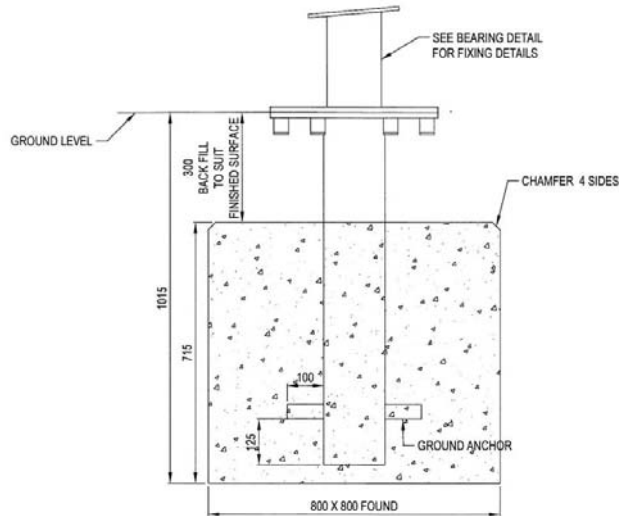


IP03 MOONWALKER

INSTALLATION INSTRUCTIONS



IP03 Moonwalker
1.5m diameter dish



The ground anchor should be allowed to set in the concrete for 120 hours before fixing the main assembly

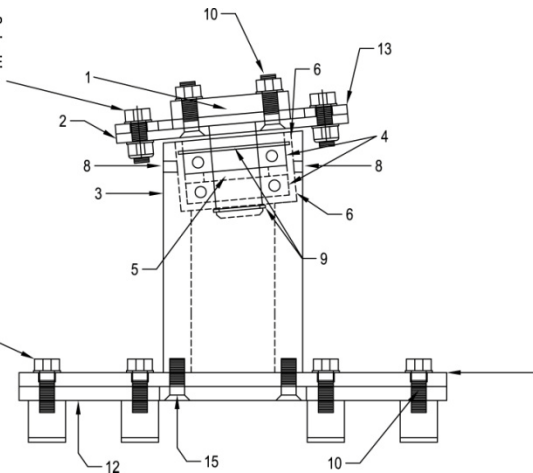
No. of People required: 4

No. of Hours required: 3
(123 inc. concrete curing)

Overall unit weight: 160kg

14 / SCREW M16 X 45 INTO TOP BEARING PLATE AND FIT NYLOCK NUT TO UNDERSIDE

11 / SCREW M16 X 40 INTO TOP GROUND ANCHOR PLATE



- 1 / BEARING SHAFT
- 2 / BEARING TOP PLATE TAPPED M16
- 3 / BEARING SLEEVE
- 4 / ROLLER BEARING
- 5 / SPACER
- 6 / BEARING HOUSING
- 7 / BEARING BASE PLATE
- 8 / M12 CONE SET SCREWS
- 9 / CIRCLIP
- 10 / M16 CSK SOCKET SCREW WITH WASHER AND NUT
- 11 / M16 X 40 SOCKET SCREW WITH WASHER
- 12 / TOP PLATE GROUND ANCHOR
- 13 / BOTTOM PLATE SPINNER
- 14 / M16 X 45 SOCKET SCREW WITH WASHERS AND NYLOCK NUT
- 15 / M16 X 45 SOCKET SCREW

ALL PRE ASSEMBLED FIXINGS ARE LOCK TIGHT



HEAVY

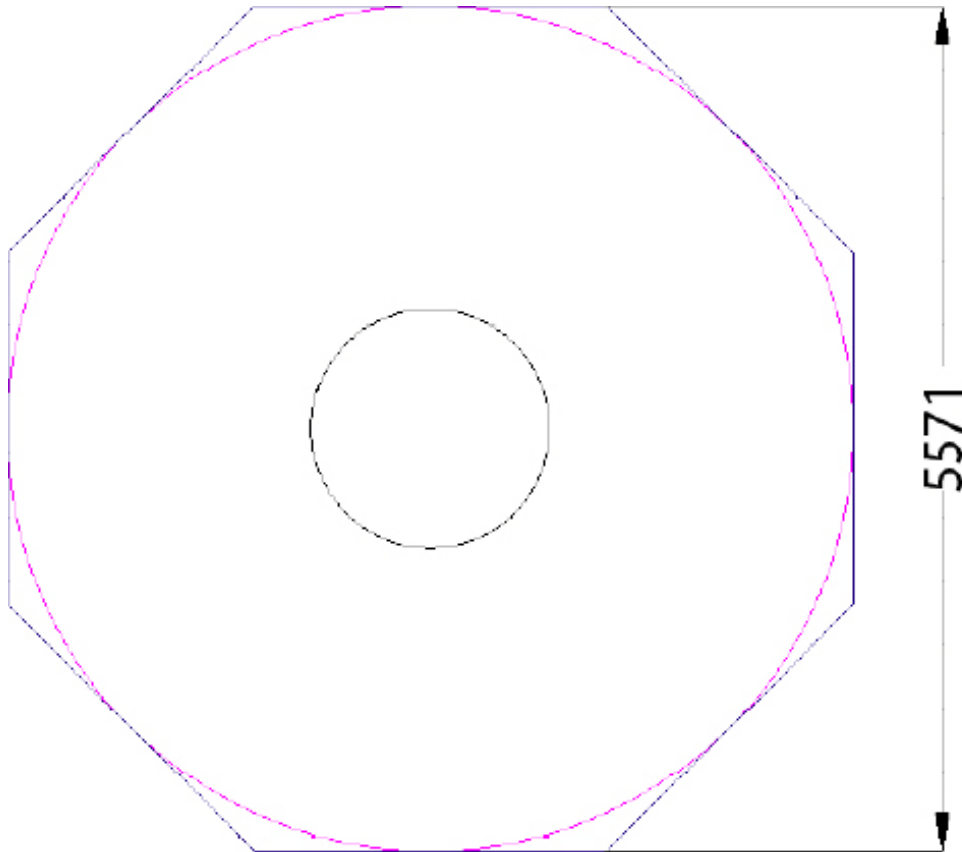
(requires mechanical lifting)



www.inclusiveplay.com

IP03 MOONWALKER

INSTALLATION INSTRUCTIONS



Freespace and Surfacing = 26m²
Critical Fall Height = 500mm



www.inclusiveplay.com